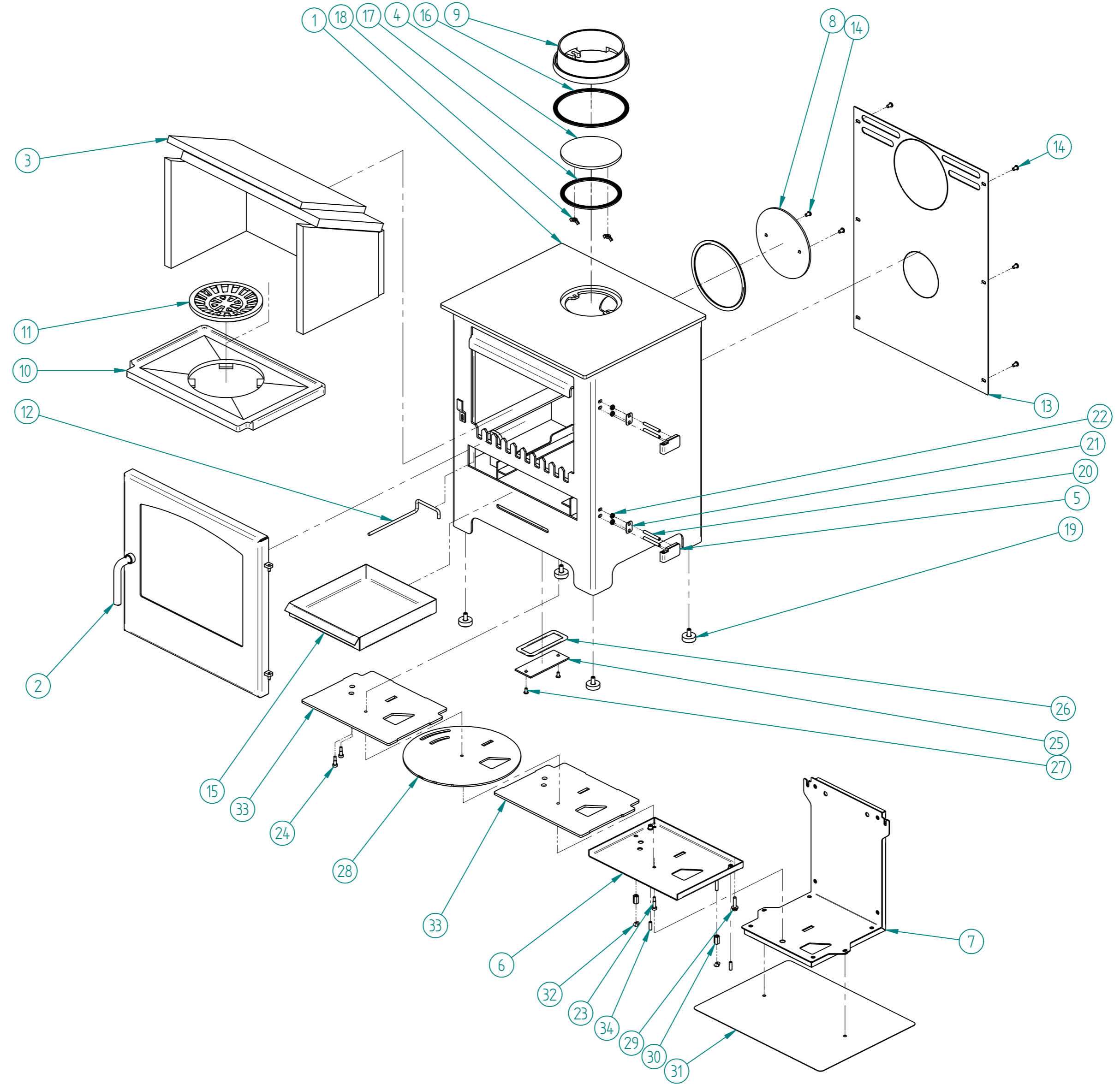


No.	Description	Made by	Date
1	Updated views	RV	08.12.2014



1	Burning chamber for Country 575	Assy.		56500810	47,6	1
2	Door	Assy.		56500709	8,8	1
3	Vermiculite complete	Assy.		56500005	2,7	1
4	Top cover with threaded bolts	Assy.		56500072	0,7	1
5	Hinge	Assy.		56500807	0,1	2
6	Duplic Air topplate	ASSY.		56500831	1,3	1
7	Fresh air box Country 575-765	ASSY.	Sealtite 210 (G.A Lindberg)	56500825	8,5	1
8	Plade for rogring	PL 4	Steel	56100112	0,7	1
9	Rogstuds		Iron, grey cast type 20	55000150	1,4	1
10	Cast iron bottom	384x262x26	Iron, grey cast type 20	56500016	7,6	1
11	Grid round		cast iron	55000100	0,8	1
12	Rod for shaking grid	∅6	S235 JRG2	56500062	0,1	1
13	Back cover Country 575	2 mm Plate.	S235 - stained	56500801	3,6	1
14	Screw ISO 7380	M6 x 10	Steel	Screw M6 x 10 ISO 7380	0,0	8
15	Ashtray	323,2x284,2x1	S235 JRG2	56500018	0,7	1
16	Sealing 3 x 8 mm	3 x 8 mm	S235J2C+N	56500070	0,2	2
17	Siling 3 x 8 mm	3 x 8 mm	S235J2C+N	56500075	0,1	1
18	Wing nuts DIN 315	M6	Steel	Wing nuts M6 DIN 315	0,0	2
19	Adjustable feet	M8x25	Steel	56109001	0,3	4
20	Screw DIN 913	M6 x 45	Steel	Screw M6 x 50 DIN 913	0,0	4
21	Washer	1 mm Plate	S235 - stained	56500703	0,0	2
22	Nut	M6		Nut M6 DIN 439 B	0,0	4
23	Shoulder screw	(M5) 6 x 16	Steel	shoulder screw (M5) 6 x 16 ISO 7379	0,0	1
24	Shoulder screw	(M5) 6 x 10	S235J2C+N	shoulder screw (M5) 6 x 10 ISO 7379	0,0	2
25	plate	120x48x3	S235 JRG2	56500061	0,1	1
26	Part no. at Jydepejsen: 44300020	8 x 3	E-glass	56500902	0,0	1
27	Screw ISO 7380	M5x10	Steel	Screw M5 x 10 ISO 7380	0,0	2
28	Country 575-765 damper handle	4 mm Plate	Stainless Steel, 304	56500802	1,6	1
29	Screw DIN 6921	M6 x 25		Screw M6 x 25 DIN 6921	0,0	2
30	Nut M6 DIN 6334	M6	Acier	Nut M6 DIN 6334	0,0	2
31	Heat reflection plate	1 mm Plate	S235J2C+N	56500834	1,4	1
Item No.	Name	Dimension	Material	Drawing No.	Mass	Quantity

32	Nut M6 DIN 6923	M6	Acier	Nut M6 DIN 6923	0,0	2
33	Gasket Country 575-765	5 mm plate	FJ-2119 BIO Iso.	56500836	3,2	2
34	Screw DIN 913	M6x20	Steel	Screw M6 x 20 DIN 913	0,0	2
Item No.	Name	Dimension	Material	Drawing No.	Mass	Quantity

	Description: Country 575 assembly		Designer: MTW	Date: 05-12-2013
	Tolerance: Variations on dimensions without tolerance values are according to DS/EN 22768-mK		Material:	Scale:
Jydepejsen A/S Ahornsvinget 3-7 Nr.Felding, 7500 Holstebro www.jydepejsen.com		Tlf. 96101200 Fax. 97425216	Surface:	Weight: m=77,1 kg
Drawing No.: 13500800		Dimension: Assy.		

www.pieces-de-peele.com