

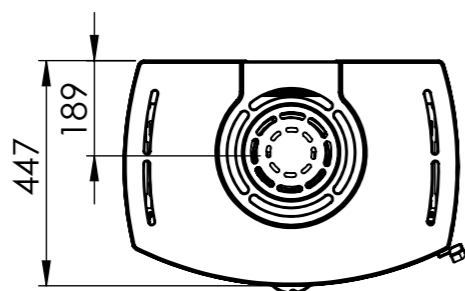
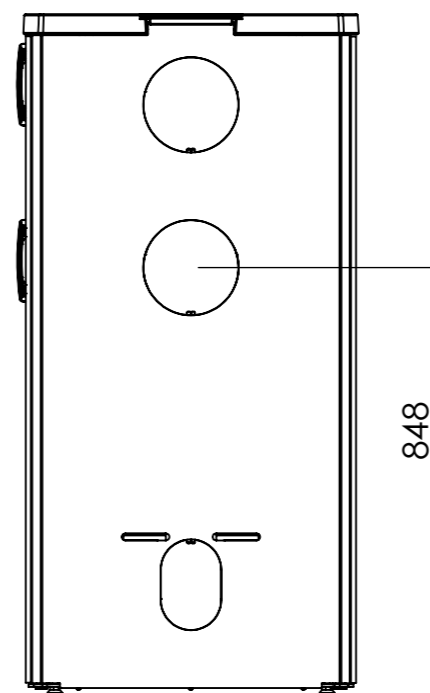
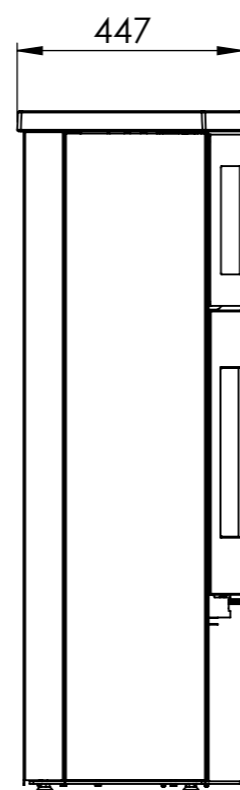
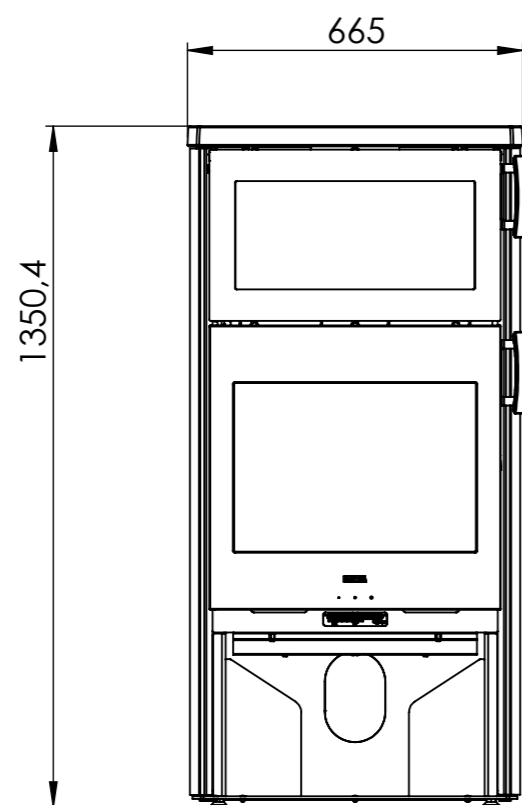


Icon-Line Eclipse XL Bageovn

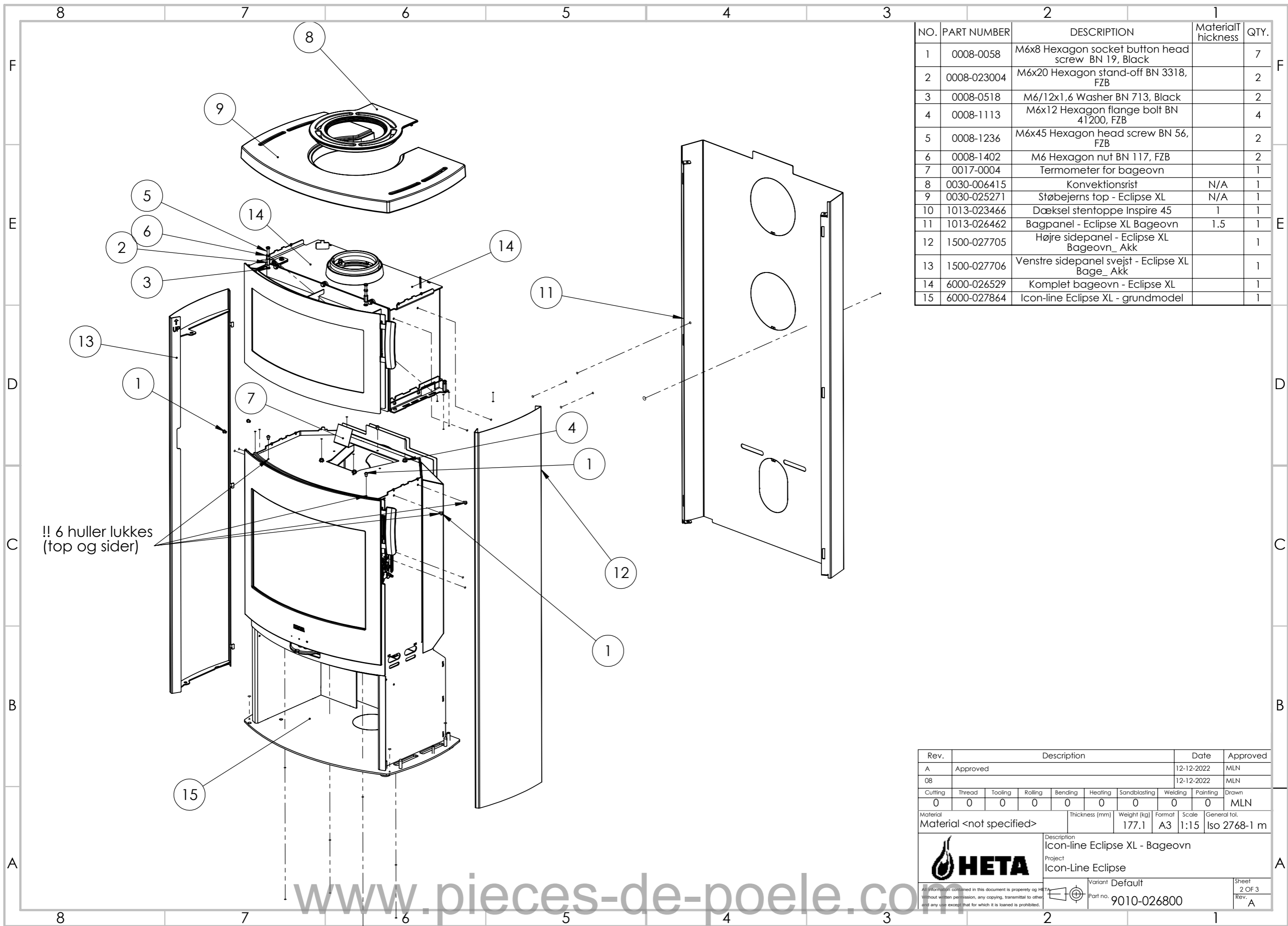
Standard: Stålsider.

Varianter:

- Stålsider med fedtstenstop.
- Komplet fedtsten



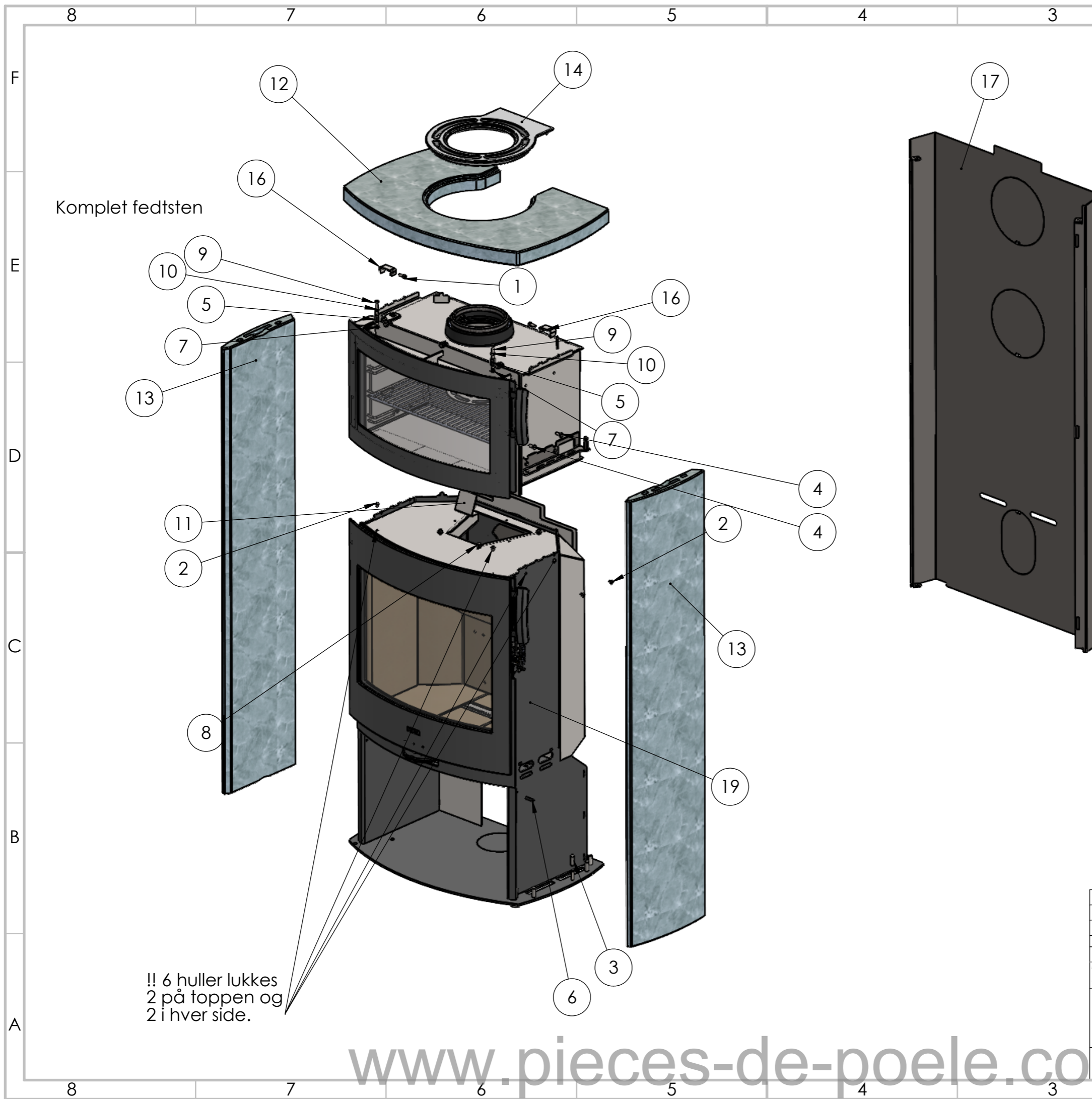
Rev.	Description	Date	Approved
A	Approved	12-12-2022	MLN
08		12-12-2022	MLN
Cutting	Thread	Tooling	Rolling
0	0	0	0
Bending	Heating	Sandblasting	Welding
0	0	0	0
Painting	Drawn		
0	MLN		
Material	Thickness (mm)	Weight (kg)	Format
Material <not specified>		177.1	A3
Description		Scale	General tol.
Icon-line Eclipse XL - Bageovn		1:15	Iso 2768-1 m
Project			
Icon-Line Eclipse			
Variant		Sheet	
Default		1 OF 3	
Part no.		Rev.	
9010-026800		A	



!! 6 huller lukkes (top og sider)

NO.	PART NUMBER	DESCRIPTION	Material thickness	QTY.
1	0008-0058	M6x8 Hexagon socket button head screw BN 19, Black		7
2	0008-023004	M6x20 Hexagon stand-off BN 3318, FZB		2
3	0008-0518	M6/12x1,6 Washer BN 713, Black		2
4	0008-1113	M6x12 Hexagon flange bolt BN 41200, FZB		4
5	0008-1236	M6x45 Hexagon head screw BN 56, FZB		2
6	0008-1402	M6 Hexagon nut BN 117, FZB		2
7	0017-0004	Termometer for bageovn		1
8	0030-006415	Konvektionsrist	N/A	1
9	0030-025271	Støbejerns top - Eclipse XL	N/A	1
10	1013-023466	Dæksel stentoppe Inspire 45	1	1
11	1013-026462	Bagpanel - Eclipse XL Bageovn	1.5	1
12	1500-027705	Højre sidepanel - Eclipse XL Bageovn_ Akk		1
13	1500-027706	Venstre sidepanel svejst - Eclipse XL Bage_ Akk		1
14	6000-026529	Komplet bageovn - Eclipse XL		1
15	6000-027864	Icon-line Eclipse XL - grundmodel		1

Rev.	Description	Date	Approved
A	Approved	12-12-2022	MLN
08		12-12-2022	MLN
Cutting	Thread	Tooling	Rolling
0	0	0	0
Bending	Heating	Sandblasting	Welding
0	0	0	0
Painting	Drawn		
0	MLN		
Material	Material <not specified>	Thickness (mm)	Weight (kg)
		177.1	A3
		Scale	General tol.
		1:15	Iso 2768-1 m
		Description Icon-line Eclipse XL - Bageovn Project Icon-Line Eclipse	
<small>All information contained in this document is property of HETA. Without written permission, any copying, transmittal to other and any use except that for which it is loaned is prohibited.</small>		Variant Default Part no. 9010-026800	Sheet 2 OF 3 Rev. A



NO	PART NUMBER	DESCRIPTION	QTY.
1	0008-0022	M6x16 Hexagon socket head cap screw BN 7, Black	2
2	0008-0058	M6x8 Hexagon socket button head screw BN 19, Black	8
3	0008-005978	Cap Ø5,7x25,4 (461691)	2
4	0008-0211	M6x16 Hexagon head screw BN 54, Black	4
5	0008-023004	M6x20 Hexagon stand-off BN 3318, FZB	2
6	0008-023457	M6x35 hexagon socket head cap screw BN 272 Stahl 8_8	2
7	0008-0518	M6/12x1,6 Washer BN 713, Black	2
8	0008-1113	M6x12 Hexagon flange bolt BN 41200, FZB	4
9	0008-1236	M6x45 Hexagon head screw BN 56, FZB	2
10	0008-1402	M6 Hexagon nut BN 117, FZB	2
11	0017-0004	Termometer for bageovn	1
12	0023-026406	Stentop - Soapstone Eclipse XL	1
13	0023-026775	Fedtsten side - Eclipse XL Bageovn	2
14	0030-006415	Konvektionsrist	1
15	1013-023466	Dæksel stentoppe Inspire 45	1
16	1013-024245	Beslag til stensider 3 mm	2
17	1013-026462	Bagpanel - Eclipse XL Bageovn	1
18	6000-026529	Komplet bageovn - Eclipse XL	1
19	6000-027864	Icon-line Eclipse XL - grundmodel	1

!! 6 huller lukkes  
2 på toppen og  
2 i hver side.

Rev.	Description	Date	Approved
A	Approved	12-12-2022	MLN
08		12-12-2022	MLN
Cutting	Thread	Tooling	Rolling
0	0	0	0
Bending	Heating	Sandblasting	Welding
0	0	0	0
Painting	Drawn		
0	MLN		
Material	Material <not specified>	Thickness (mm)	Weight (kg)
		177.1	A3
Scale	1:15	General tol.	Iso 2768-1 m
		Description Icon-line Eclipse XL - Bageovn Project Icon-Line Eclipse	
Variant Default Part no. 9010-026800		Sheet 3 OF 3 Rev. A	