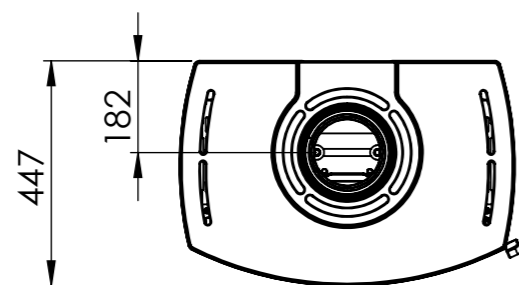
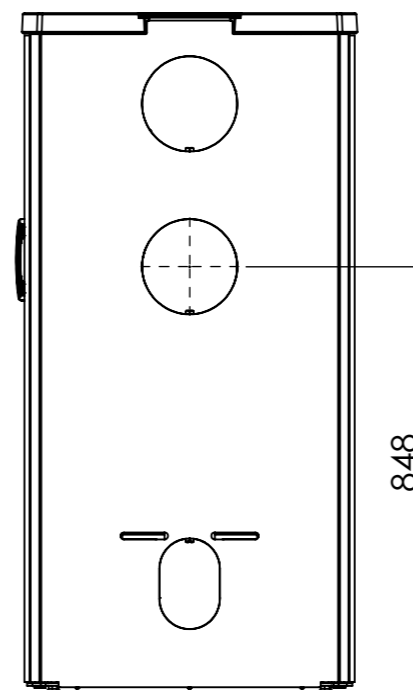
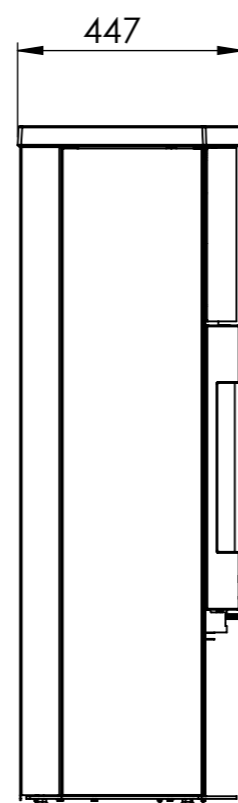
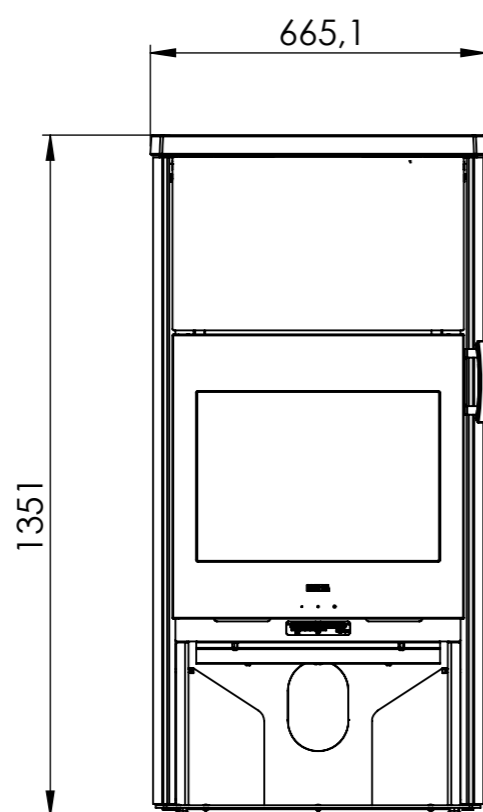




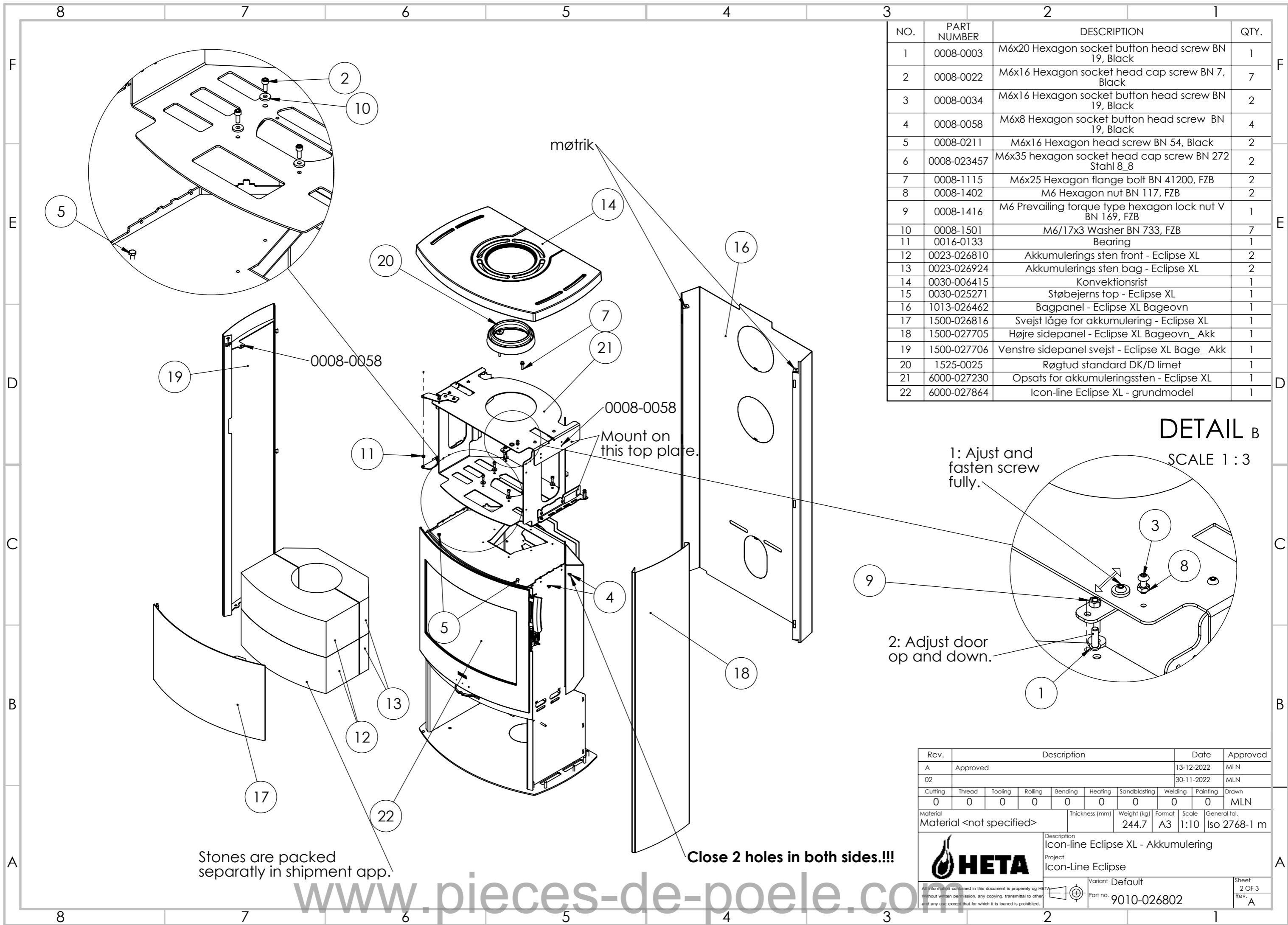
Icon-Line Eclipse XL Akkumulering
Standard: Stålsider.

Varianter:

- Stålsider med fedtstenstop.
- Komplet fedtsten



Rev.	Description	Date	Approved
A	Approved	13-12-2022	MLN
02		30-11-2022	MLN
Cutting	Thread	Tooling	Rolling
0	0	0	0
Bending	Heating	Sandblasting	Welding
0	0	0	0
Painting	Drawn		
0	MLN		
Material		Thickness (mm)	Weight (kg)
Material <not specified>		244.7	A3
Description		Scale	General tol.
Icon-line Eclipse XL - Akkumulering		1:15	Iso 2768-1 m
Project			
Icon-Line Eclipse			
Variant		Sheet	
Default		1 OF 3	
Part no.		Rev.	
9010-026802		A	



NO.	PART NUMBER	DESCRIPTION	QTY.
1	0008-0003	M6x20 Hexagon socket button head screw BN 19, Black	1
2	0008-0022	M6x16 Hexagon socket head cap screw BN 7, Black	7
3	0008-0034	M6x16 Hexagon socket button head screw BN 19, Black	2
4	0008-0058	M6x8 Hexagon socket button head screw BN 19, Black	4
5	0008-0211	M6x16 Hexagon head screw BN 54, Black	2
6	0008-023457	M6x35 hexagon socket head cap screw BN 272 Stahl 8_8	2
7	0008-1115	M6x25 Hexagon flange bolt BN 41200, FZB	2
8	0008-1402	M6 Hexagon nut BN 117, FZB	2
9	0008-1416	M6 Prevailing torque type hexagon lock nut V BN 169, FZB	1
10	0008-1501	M6/17x3 Washer BN 733, FZB	7
11	0016-0133	Bearing	1
12	0023-026810	Akkumulerings sten front - Eclipse XL	2
13	0023-026924	Akkumulerings sten bag - Eclipse XL	2
14	0030-006415	Konvektionsrist	1
15	0030-025271	Støbejerns top - Eclipse XL	1
16	1013-026462	Bagpanel - Eclipse XL Bageovn	1
17	1500-026816	Svejst låge for akkumulering - Eclipse XL	1
18	1500-027705	Højre sidepanel - Eclipse XL Bageovn_ Akk	1
19	1500-027706	Venstre sidepanel svejst - Eclipse XL Bage_ Akk	1
20	1525-0025	Røgtud standard DK/D limet	1
21	6000-027230	Opsats for akkumuleringssten - Eclipse XL	1
22	6000-027864	Icon-line Eclipse XL - grundmodel	1

DETAIL B

SCALE 1 : 3

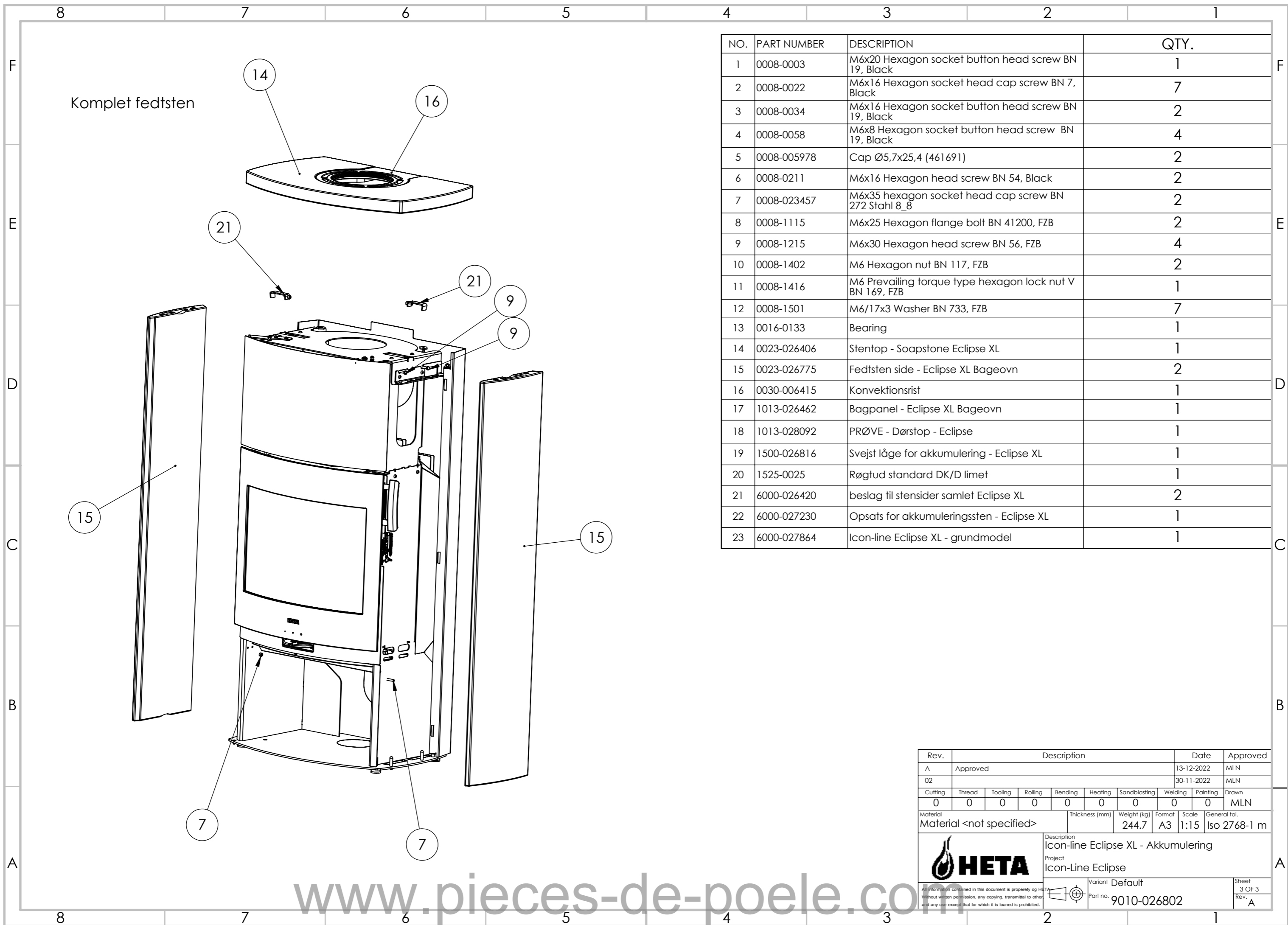
1: Ajust and fasten screw fully.

2: Adjust door op and down.


Stones are packed separatly in shipment app.

Close 2 holes in both sides!!!

Rev.	Description	Date	Approved
A	Approved	13-12-2022	MLN
02		30-11-2022	MLN
Cutting	Thread	Tooling	Rolling
0	0	0	0
Bending	Heating	Sandblasting	Welding
0	0	0	0
Painting	Drawn		
0	MLN		
Material	Material <not specified>	Thickness (mm)	Weight (kg)
			244.7
Format	A3	Scale	1:10
General tol.	Iso 2768-1 m		
		Description Icon-line Eclipse XL - Akkumulering Project Icon-Line Eclipse	
Variant Default Part no. 9010-026802		Sheet 2 OF 3 Rev. A	



NO.	PART NUMBER	DESCRIPTION	QTY.
1	0008-0003	M6x20 Hexagon socket button head screw BN 19, Black	1
2	0008-0022	M6x16 Hexagon socket head cap screw BN 7, Black	7
3	0008-0034	M6x16 Hexagon socket button head screw BN 19, Black	2
4	0008-0058	M6x8 Hexagon socket button head screw BN 19, Black	4
5	0008-005978	Cap Ø5,7x25,4 (461691)	2
6	0008-0211	M6x16 Hexagon head screw BN 54, Black	2
7	0008-023457	M6x35 hexagon socket head cap screw BN 272 Stahl 8_8	2
8	0008-1115	M6x25 Hexagon flange bolt BN 41200, FZB	2
9	0008-1215	M6x30 Hexagon head screw BN 56, FZB	4
10	0008-1402	M6 Hexagon nut BN 117, FZB	2
11	0008-1416	M6 Prevailing torque type hexagon lock nut V BN 169, FZB	1
12	0008-1501	M6/17x3 Washer BN 733, FZB	7
13	0016-0133	Bearing	1
14	0023-026406	Stentop - Soapstone Eclipse XL	1
15	0023-026775	Fedtsten side - Eclipse XL Bageovn	2
16	0030-006415	Konvektionsrist	1
17	1013-026462	Bagpanel - Eclipse XL Bageovn	1
18	1013-028092	PRØVE - Dørstop - Eclipse	1
19	1500-026816	Svejst låge for akkumulering - Eclipse XL	1
20	1525-0025	Røgtud standard DK/D limet	1
21	6000-026420	beslag til stensider samlet Eclipse XL	2
22	6000-027230	Opsats for akkumuleringssten - Eclipse XL	1
23	6000-027864	Icon-line Eclipse XL - grundmodel	1

Rev.	Description	Date	Approved
A	Approved	13-12-2022	MLN
02		30-11-2022	MLN
Cutting	Thread	Tooling	Rolling
0	0	0	0
Bending	Heating	Sandblasting	Welding
0	0	0	0
Painting	Drawn		
0	MLN		
Material	Material <not specified>	Thickness (mm)	Weight (kg)
			244.7
Format	Scale	General tol.	
A3	1:15	Iso 2768-1 m	
		Description Icon-line Eclipse XL - Akkumulering Project Icon-Line Eclipse	
All information contained in this document is property of HETA. Without written permission, any copying, transmittal to other and any use except that for which it is loaned is prohibited.		Variant Default Part no. 9010-026802	Sheet 3 OF 3 Rev. A