

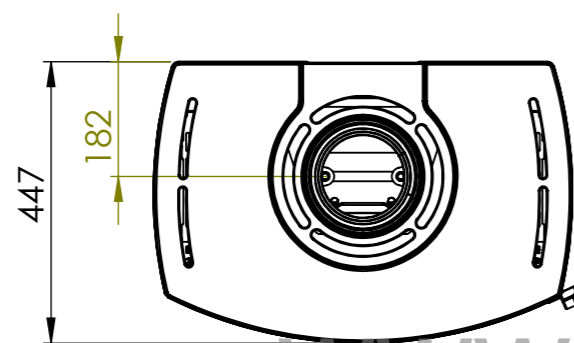
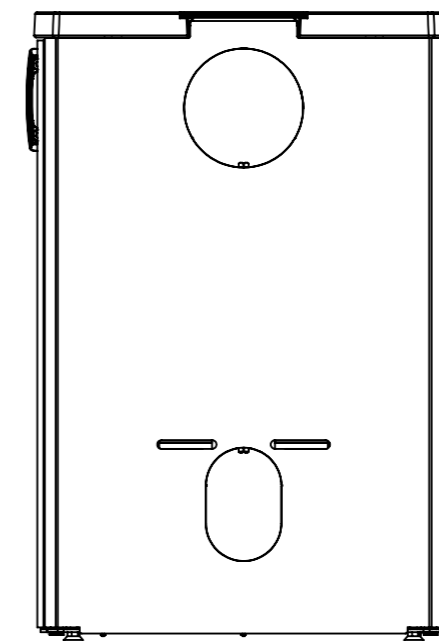
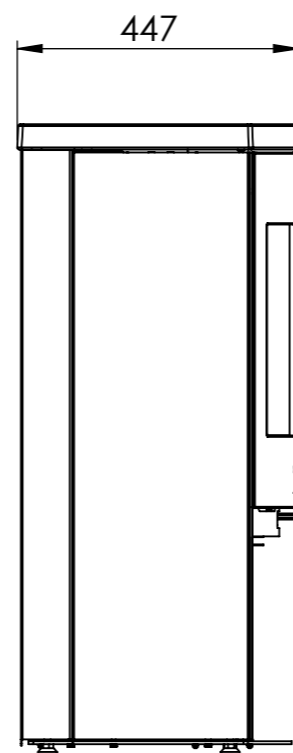
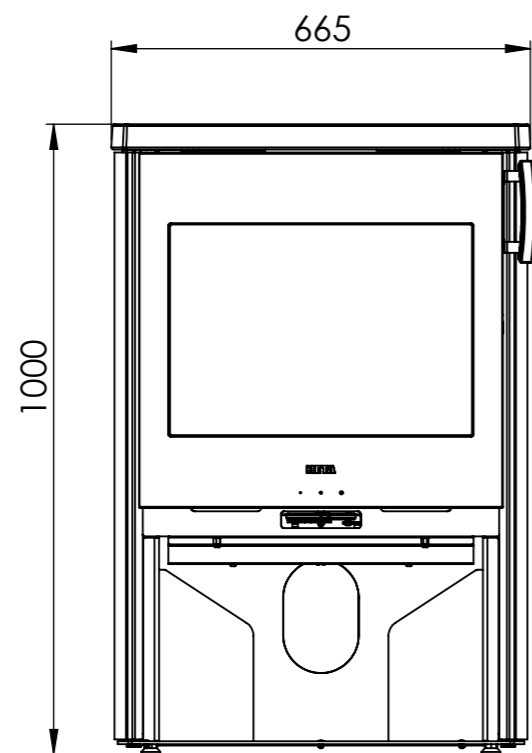


Icon-Line Eclipse XL

Standard: Stålsider.

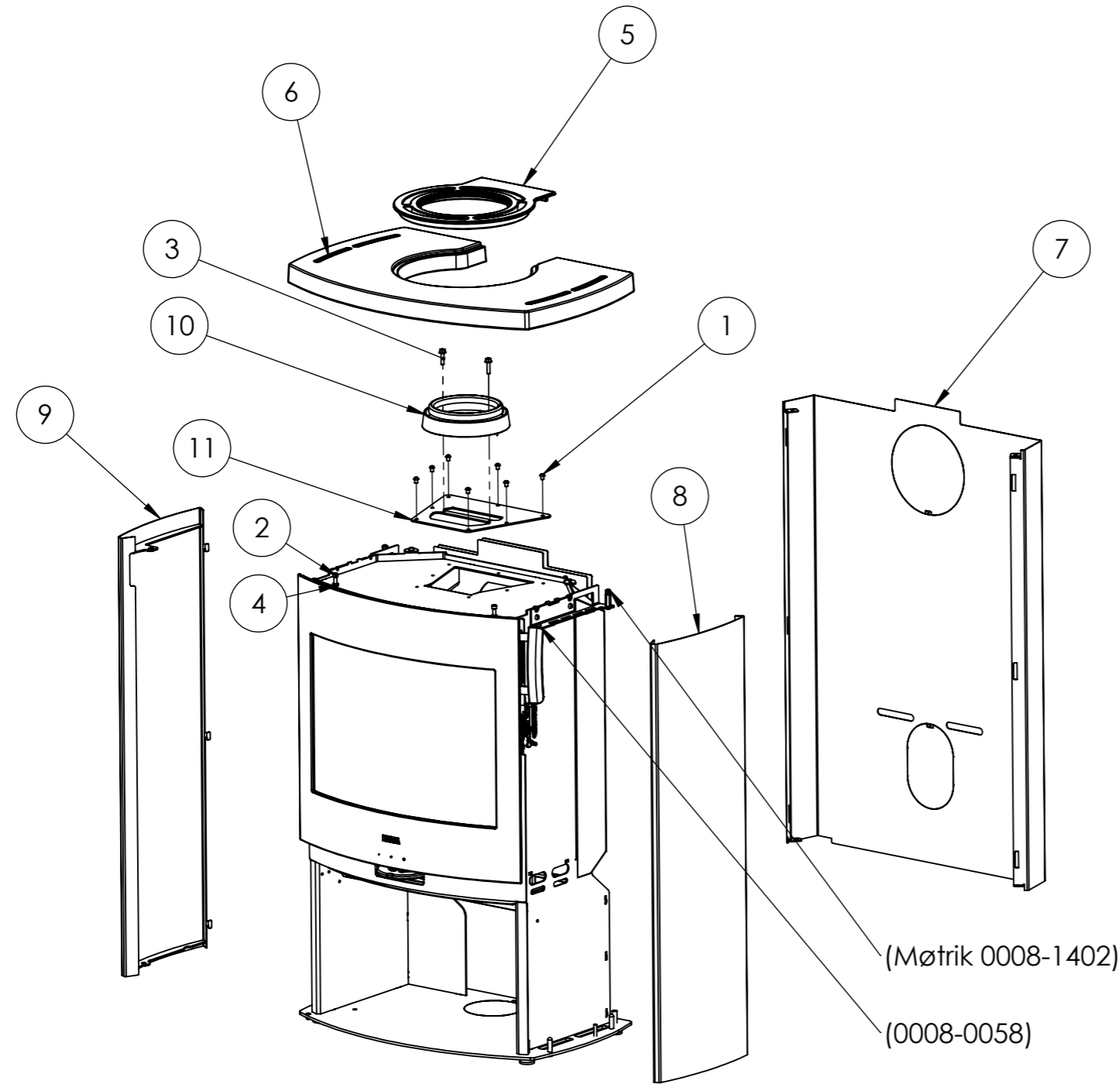
Varianter:

- Stålsider med fedtstenstop.
- Komplet fedtsten



Rev.	Description	Date	Approved
A	Approved	07-11-2022	MLN
03		07-11-2022	MLN
Cutting	Thread	Tooling	Rolling
0	0	0	0
Bending	Heating	Sandblasting	Welding
0	0	0	0
Painting	Drawn		
0	MLN		
Material		Thickness (mm)	Weight (kg)
Material <not specified>			134.9
Format		Scale	General tol.
A3		1:12	Iso 2768-1 m
Description		Icon-line Eclipse XL	
Project		Icon-Line Eclipse	
Variant		Default	
Part no.		9010-026000	
Sheet		1 OF 3	
Rev.		A	

Stålsider



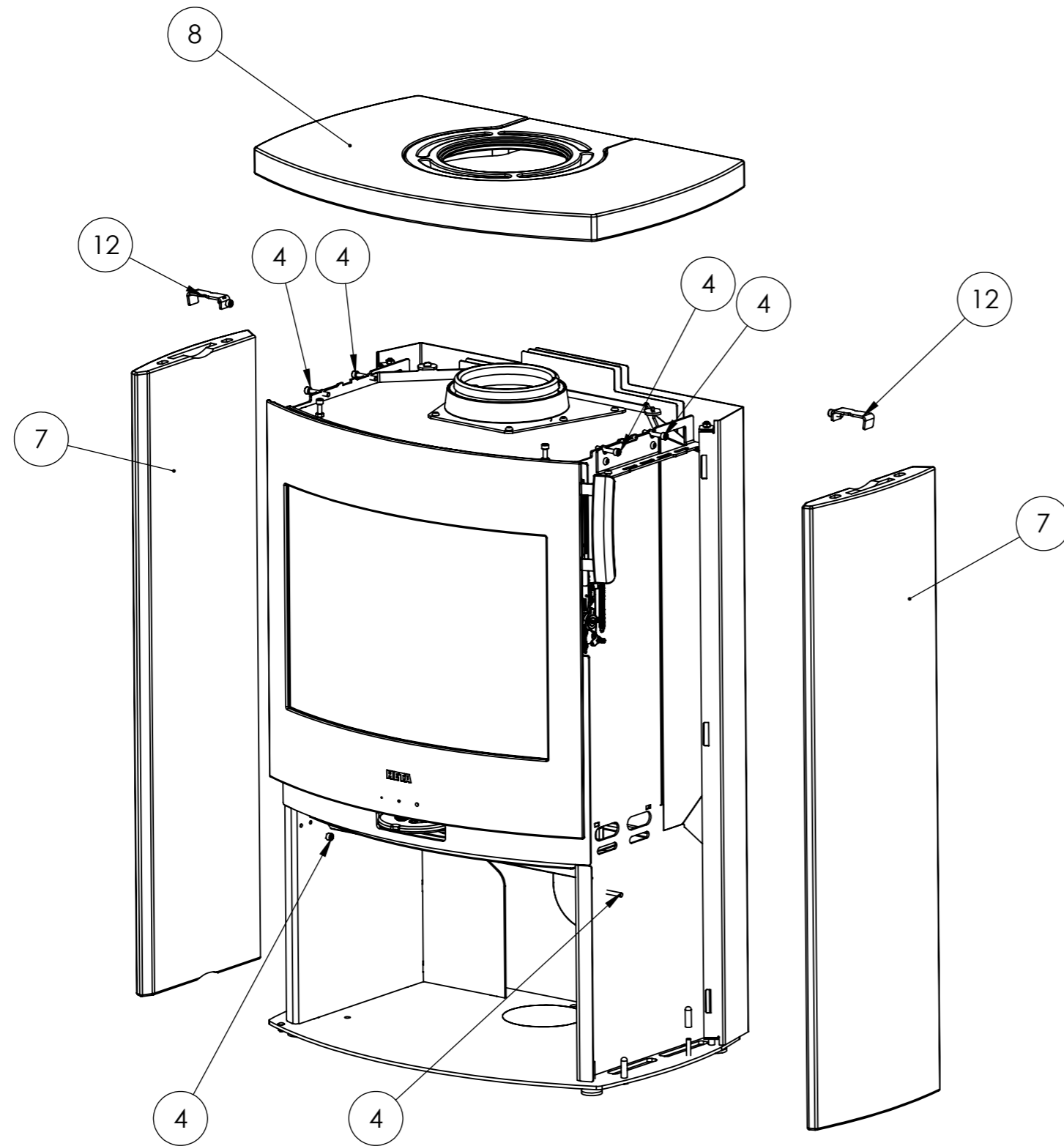
(Møtrik 0008-1402)

(0008-0058)


NO.	PART NUMBER	DESCRIPTION	QTY.
1	0008-0058	M6x8 Hexagon socket button head screw BN 19, Black	7
2	0008-0092	M6x30 Hexagon socket head cap screw BN 7, Black	2
3	0008-1115	M6x25 Hexagon flange bolt BN 41200, FZB	2
4	0008-1402	M6 Hexagon nut BN 117, FZB	2
5	0030-006415	Konvektionsrist	1
6	0030-025271	Støbejerns top - Eclipse XL	1
7	1013-025680	Bagpanel - Eclipse XL	1
8	1500-027693	Højre sidepanel svejst - Eclipse XL	1
9	1500-027696	Venstre sidepanel svejst - Eclipse XL	1
10	1525-0025	Røgtud standard DK/D limet	1
11	6000-026777	Topplade med paksnor - Exlipse XL	1
12	6000-027864	Icon-line Eclipse XL - grundmodel	1

Rev.	Description	Date	Approved						
A	Approved	07-11-2022	MLN						
03		07-11-2022	MLN						
Cutting	Thread	Tooling	Rolling	Bending	Heating	Sandblasting	Welding	Painting	Drawn
0	0	0	0	0	0	0	0	0	MLN
Material		Thickness (mm)	Weight (kg)	Format	Scale	General tol.			
Material <not specified>			134.9	A3	1:12	Iso 2768-1 m			
		Description Icon-line Eclipse XL							
		Project Icon-Line Eclipse							
<small>All information contained in this document is property of HETA. Without written permission, any copying, transmittal to other and any use except that for which it is loaned is prohibited.</small>				Variant Default		Sheet 2 OF 3		Rev. A	
		Part no. 9010-026000							

Fedtsten



NO.	PART NUMBER	DESCRIPTION	QTY.
1	0008-0058	M6x8 Hexagon socket button head screw BN 19, Black	7
2	0008-005978	Cap Ø5,7x25,4 (461691)	2
3	0008-0092	M6x30 Hexagon socket head cap screw BN 7, Black	2
4	0008-023457	M6x35 hexagon socket head cap screw BN 272 Stahl 8_8	6
5	0008-1115	M6x25 Hexagon flange bolt BN 41200, FZB	2
6	0008-1402	M6 Hexagon nut BN 117, FZB	2
7	0023-026043	Fedtsten - Eclipse XL	2
8	0023-026406	Stentop - Soapstone Eclipse XL	1
9	0030-006415	Konvektionsrist	1
10	1013-025680	Bagpanel - Eclipse XL	1
11	1525-0025	Røgtud standard DK/D limet	1
12	6000-026420	beslag til stensider samlet Eclipse XL	2
13	6000-026777	Topplade med paksnor - Exlipse XL	1
14	6000-027864	Icon-line Eclipse XL - grundmodel	1

Rev.	Description	Date	Approved
A	Approved	07-11-2022	MLN
03		07-11-2022	MLN
Cutting	Thread	Tooling	Rolling
0	0	0	0
Bending	Heating	Sandblasting	Welding
0	0	0	0
Painting	Drawn		
0	MLN		
Material	Material <not specified>	Thickness (mm)	Weight (kg)
		134.9	A3
Scale	1:12	General tol.	Iso 2768-1 m
		Description Icon-line Eclipse XL Project Icon-Line Eclipse	
All information contained in this document is property of HETA. Without written permission, any copying, transmittal to other and any use except that for which it is loaned is prohibited.		Variant Default Part no. 9010-026000	Sheet 3 OF 3 Rev. A