

Steel

NO.	PART NUMBER	DESCRIPTION	Material thickness	QTY.
2	0030-006415	Konvektionsrist	N/A	1
3	0030-026745_odle w	Støbt top 14-09-2022		1
4	6000-026429	Samlet stålside, sideglas, Højre		1
5	6000-026853	Samlet stålside, sideglas, Venstre	N/A	1
6	6000-027080	Montage, sideglas	N/A	1

Rev.	Description	Date	Approved
A		24-03-2023	TT
12		24-03-2023	TT

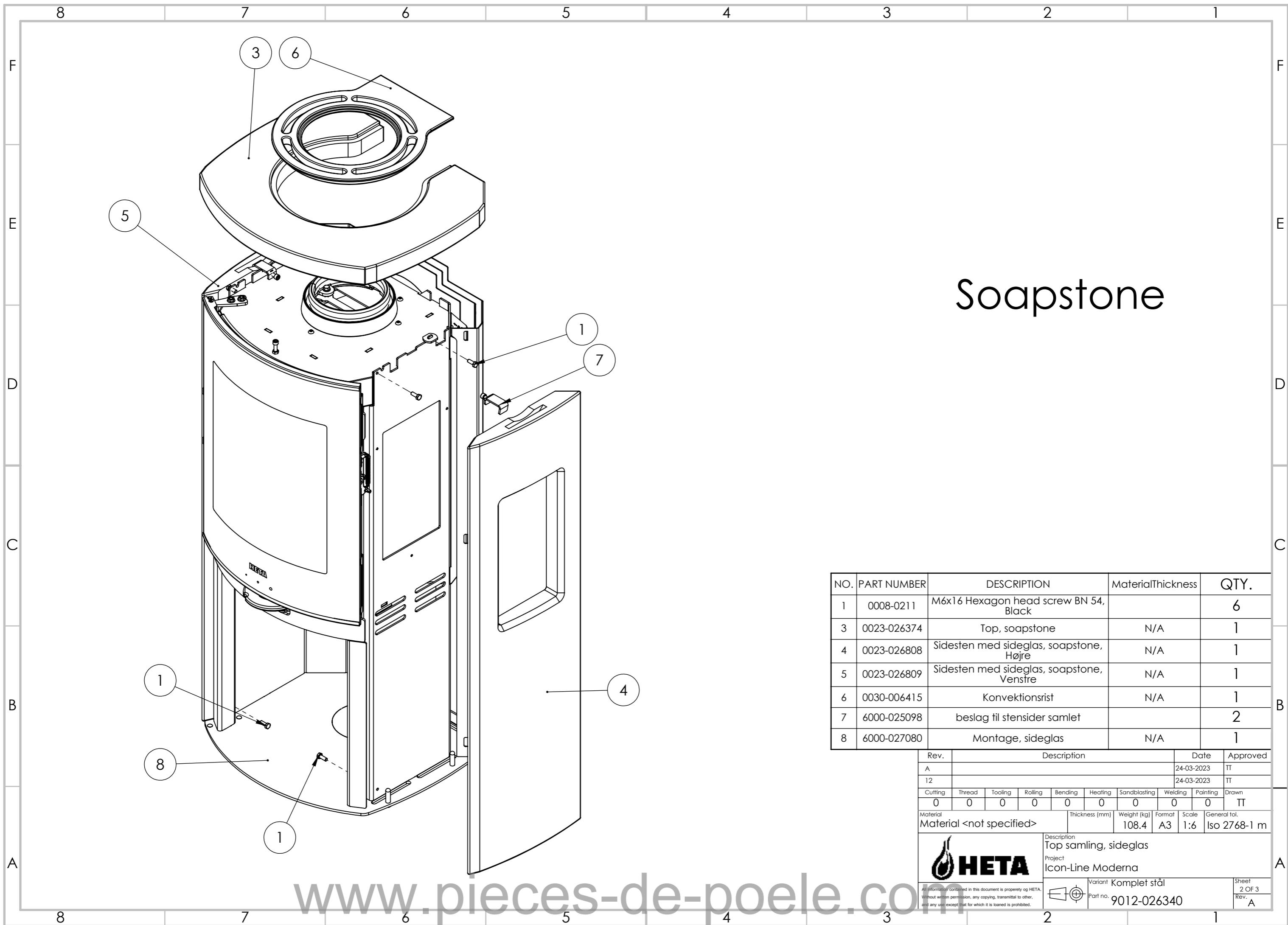
Cutting	Thread	Tooling	Rolling	Bending	Heating	Sandblasting	Welding	Painting	Drawn
0	0	0	0	0	0	0	0	0	TT

Material	Thickness (mm)	Weight (kg)	Format	Scale	General tol.
Material <not specified>		108.4	A3	1:6	Iso 2768-1 m


  

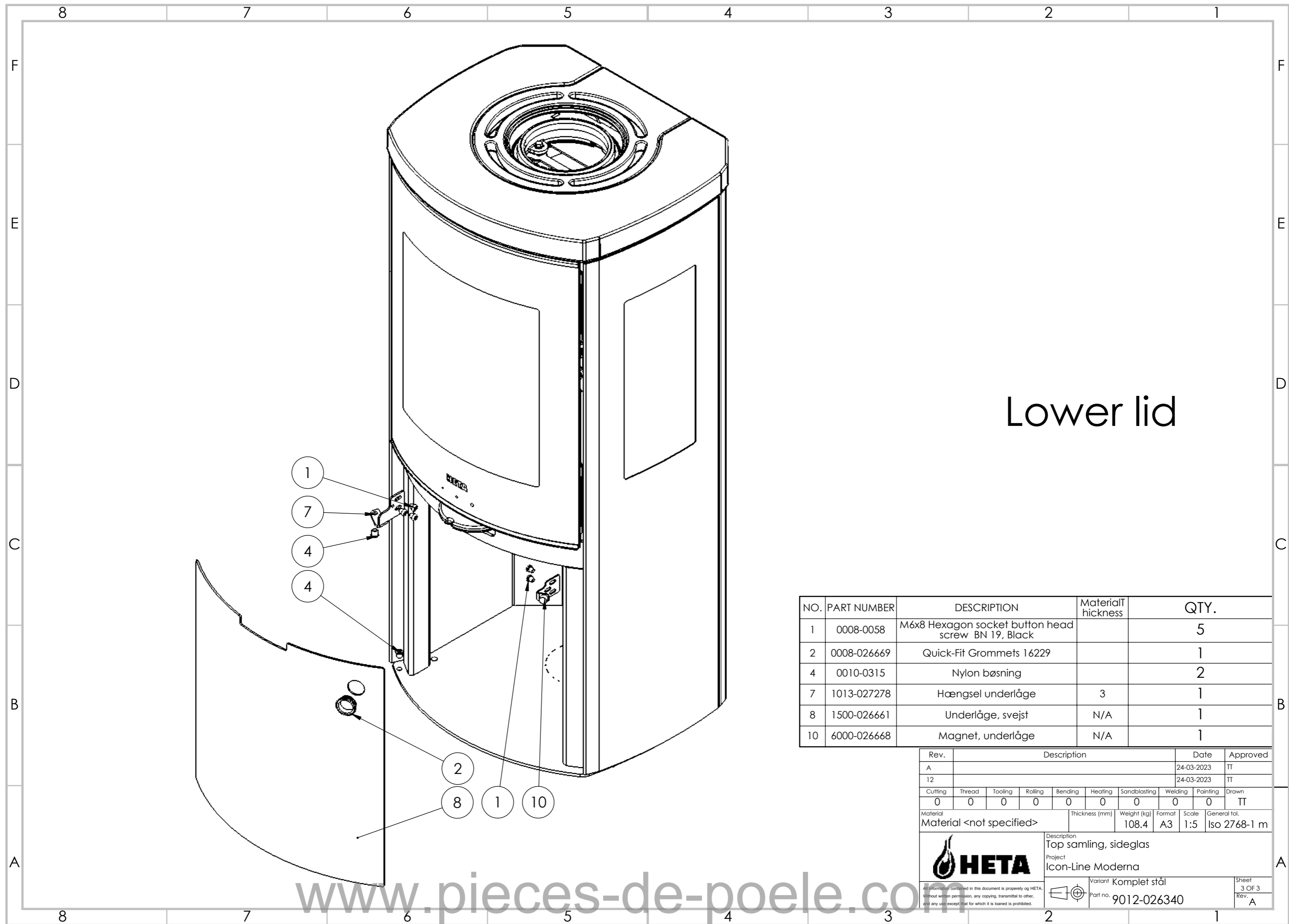
	Description	Top samling, sideglas
	Project	Icon-Line Moderna
Variant Komplet stål Part no. 9012-026340		Sheet 1 OF 3 Rev. A



# Soapstone


NO.	PART NUMBER	DESCRIPTION	MaterialThickness	QTY.
1	0008-0211	M6x16 Hexagon head screw BN 54, Black		6
3	0023-026374	Top, soapstone	N/A	1
4	0023-026808	Sidesten med sideglas, soapstone, Højre	N/A	1
5	0023-026809	Sidesten med sideglas, soapstone, Venstre	N/A	1
6	0030-006415	Konvektionsrist	N/A	1
7	6000-025098	beslag til stensider samlet		2
8	6000-027080	Montage, sideglas	N/A	1

Rev.	Description	Date	Approved
A		24-03-2023	TT
12		24-03-2023	TT
Cutting	Thread	Tooling	Rolling
0	0	0	0
Bending	Heating	Sandblasting	Welding
0	0	0	0
Painting	Drawn		
0	TT		
Material	Thickness (mm)	Weight (kg)	Format
Material <not specified>		108.4	A3
Description	Scale	General tol.	
Top samling, sideglas	1:6	Iso 2768-1 m	
Project			
Icon-Line Moderna			
		Description Top samling, sideglas Project Icon-Line Moderna	
All information contained in this document is property of HETA. Without written permission, any copying, transmittal to other, and any use except that for which it is loaned is prohibited.		Variant Komplet stål Part no. 9012-026340	
		Sheet 2 OF 3 Rev. A	



# Lower lid

NO.	PART NUMBER	DESCRIPTION	Material Thickness	QTY.
1	0008-0058	M6x8 Hexagon socket button head screw BN 19, Black		5
2	0008-026669	Quick-Fit Grommets 16229		1
4	0010-0315	Nylon bøsning		2
7	1013-027278	Hængsel underlåge	3	1
8	1500-026661	Underlåge, svejst	N/A	1
10	6000-026668	Magnet, underlåge	N/A	1

Rev.	Description	Date	Approved
A		24-03-2023	TT
12		24-03-2023	TT
Cutting	Thread	Tooling	Rolling
0	0	0	0
Bending	Heating	Sandblasting	Welding
0	0	0	0
Painting	Drawn		
0	TT		
Material	Material <not specified>	Thickness (mm)	Weight (kg)
		108.4	A3
Scale	General tol.		
1:5	Iso 2768-1 m		
		Description Top samling, sideglas Project Icon-Line Moderna	
All information contained in this document is property of HETA. Without written permission, any copying, transmittal to other, and any use except that for which it is loaned is prohibited.		Variant Komplet stål Part no. 9012-026340	
		Sheet 3 OF 3 Rev. A	