


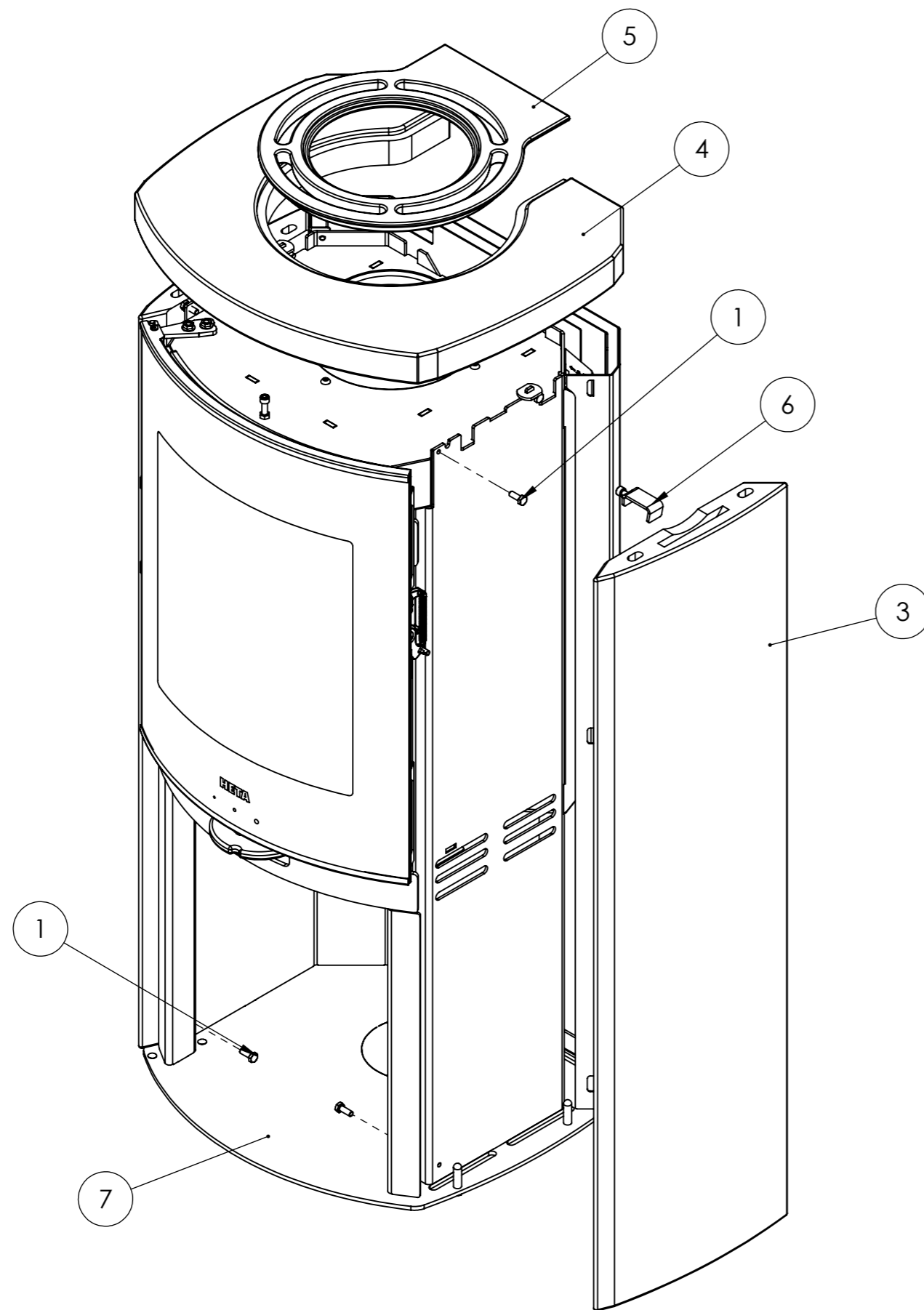
Steel

NO.	PART NUMBER	DESCRIPTION	Material Thickness	QTY.
1	0008-0058	M6x8 Hexagon socket button head screw BN 19, Black		2
3	0030-006415	Konvektionsrist	N/A	1
4	0030-026745_odlew	Støbt top14-09-2022		1
5	1500-027127	Svejst side, Højre	N/A	1
6	1500-027129	Svejst side, Venstre	N/A	1
7	6000-027122	Montage uden sideglas	N/A	1

Rev.	Description	Date	Approved						
A		24-03-2023	TT						
04		24-03-2023	TT						
Cutting	Thread	Tooling	Rolling	Bending	Heating	Sandblasting	Welding	Painting	Drawn
0	0	0	0	0	0	0	0	0	TT


Material	Thickness (mm)	Weight (kg)	Format	Scale	General tol.
Material <not specified>	N/A	110.0	A3	1:6	Iso 2768-1 m

	Description Topsamling, uden sideglas
	Project Icon-Line Moderna
Variant Komplet stål	Sheet 1 OF 2
Part no. 9012-027133	Rev. A



Soapstone

NO.	PART NUMBER	DESCRIPTION	Material Thickness	QTY.
1	0008-0211	M6x16 Hexagon head screw BN 54, Black		6
3	0023-026350	Sidesten, soapstone	N/A	2
4	0023-026374	Top, soapstone	N/A	1
5	0030-006415	Konvektionsrist	N/A	1
6	6000-025098	beslag til stensider samlet		2
7	6000-027122	Montage uden sideglas	N/A	1

Rev.	Description	Date	Approved						
A		24-03-2023	TT						
04		24-03-2023	TT						
Cutting	Thread	Tooling	Rolling	Bending	Heating	Sandblasting	Welding	Painting	Drawn
0	0	0	0	0	0	0	0	0	TT
Material	Material <not specified>		Thickness (mm)	Weight (kg)	Format	Scale	General tol.		
	N/A			110.0	A3	1:6	Iso 2768-1 m		
		Description Topsamling, uden sideglas							
		Project Icon-Line Moderna							
		Variant Komplet stål						Sheet 2 OF 2	
		Part no. 9012-027133						Rev. A	