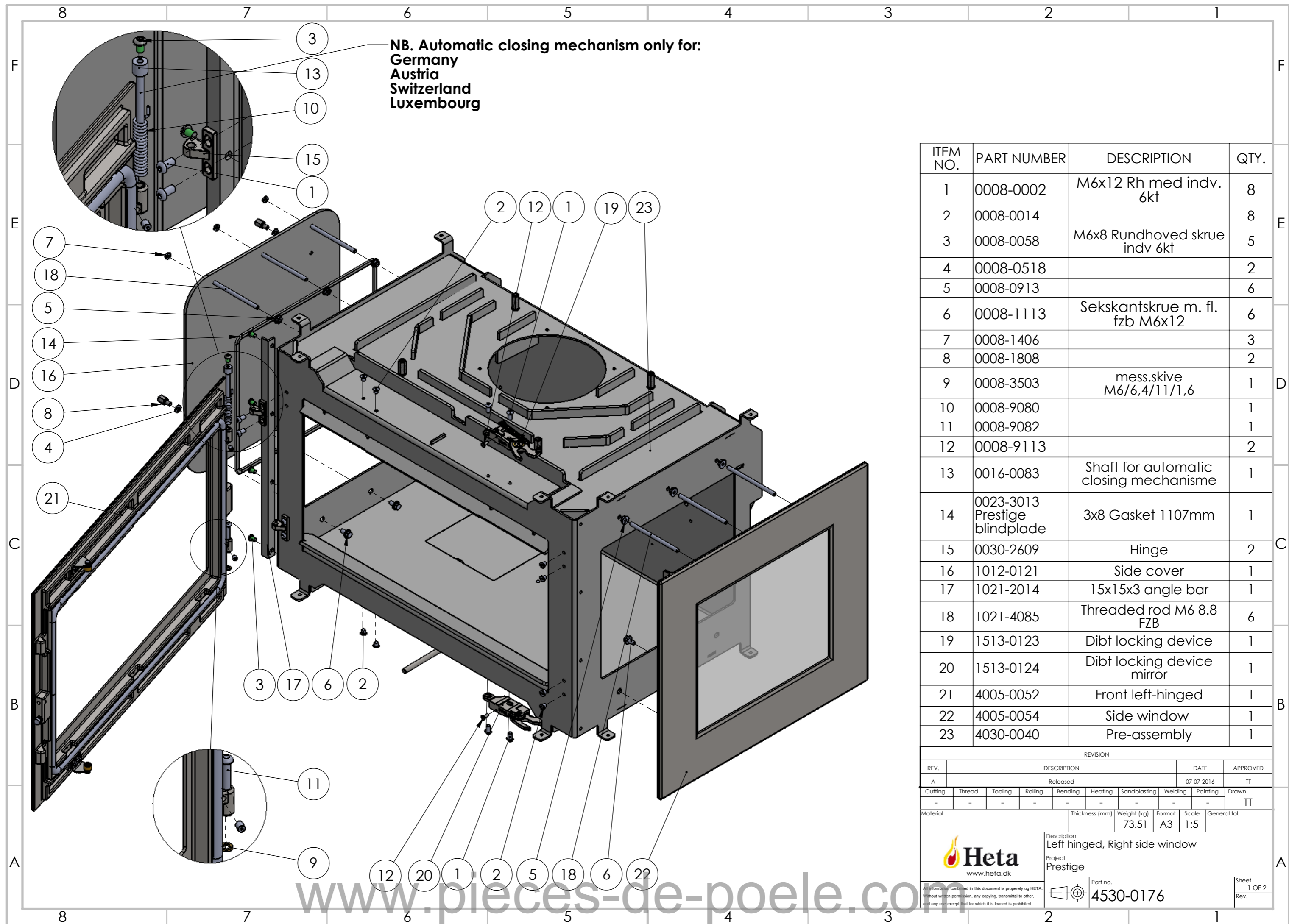


ITEM N <sup>o</sup> .	PART NUMBER	DESCRIPTION	QTY.
1	0008-0009		1
2	0008-0019		2
3	0008-0035		14
4	0008-0058	M6x8 Rundhoved skrue indiv 6kt	6
5	0008-0914		1
6	0008-0915		6
7	0008-1002		1
8	0008-1411		1
9	0008-1720	3,9x13 DIN 7504K	6
10	0008-2008		1
11	0008-2304	PH m. indiv TOX M4x6 syref.	6
12	0008-9110	Disc spring Ø18/Ø9,2x0,45	1
13	0008-9111	Spring for handle	1
14	0016-0105	Axial bearing	1
15	0016-0134	Bearing for handle	1
16	0016-0136	Roll, female	1
17	0016-0137	Roll, male	1
18	0021-0064	Front glass	1
19	0023-0210	vermiculite, lower back right	1
20	0023-0211	vermiculite, upper back right	1
21	0023-0212	vermiculite, lower back left	1
22	0023-0213	vermiculite, upper back left	1
23	0023-0214	baffle plate, right	1
24	0023-0215	baffle plate, left	1
25	0023-0217	vermiculite, left side, closed	1
26	0023-0218	Vermiculite open side	1
27	0023-0220	vermiculite stone loose, right	1
28	0023-0221	vermiculite stone loose left	1
29	0023-0222	vermiculite bottom	3
30	0023-3010 front glas	Ø6 Gasket 1630mm	1
31	0030-2610	Door handle	1
32	1011-0273	Air chamber tertiary	1
33	1013-0529	glasclips SL-7/Inspire	6
34	1022-0078	Heat shield, middle	1
35	1022-0080	Heat shield, left	1
36	1027-0470	Stop bracket for handle	1
37	1027-0471	Rail for baffle plate	1
38	1027-0499	Join bracket for frame	2
39	2110-0010	Front frame - side window	1
40	2110-0011	Side frame	1
41	4530-0176	Left hinged, Right side window	1

A Afkortning af rør-pakning 0023-3010  
 0023-3010 front glas prestige: 2 x 275mm - 2 x 545mm

Cutting	Thread	Tooling	Rolling	Bending	Heating	Sandblasting	Welding	Painting	Drawn
-	-	-	-	-	-	-	-	-	TT
Material		Thickness (mm)	Weight (kg)	Format	Scale	General tol.			
			95.33	A3	1:8				
 www.heta.dk		Description Left hinged, right side window							
		Project Prestige							
Part no.		8120-0100		Sheet		1 OF 2			
Rev.				Rev.					



ITEM NO.	PART NUMBER	DESCRIPTION	QTY.
1	0008-0002	M6x12 Rh med indv. 6kt	8
2	0008-0014		8
3	0008-0058	M6x8 Rundhoved skrue indv 6kt	5
4	0008-0518		2
5	0008-0913		6
6	0008-1113	Sekskantskrue m. fl. fzb M6x12	6
7	0008-1406		3
8	0008-1808		2
9	0008-3503	mess.skive M6/6,4/11/1,6	1
10	0008-9080		1
11	0008-9082		1
12	0008-9113		2
13	0016-0083	Shaft for automatic closing mechanisme	1
14	0023-3013 Prestige blindplade	3x8 Gasket 1107mm	1
15	0030-2609	Hinge	2
16	1012-0121	Side cover	1
17	1021-2014	15x15x3 angle bar	1
18	1021-4085	Threaded rod M6 8.8 FZB	6
19	1513-0123	Dibt locking device	1
20	1513-0124	Dibt locking device mirror	1
21	4005-0052	Front left-hinged	1
22	4005-0054	Side window	1
23	4030-0040	Pre-assembly	1

REVISION										
REV.	DESCRIPTION							DATE	APPROVED	
A	Released							07-07-2016	TT	
Cutting	Thread	Tooling	Rolling	Bending	Heating	Sandblasting	Welding	Painting	Drawn	
-	-	-	-	-	-	-	-	-	TT	
Material					Thickness (mm)	Weight (kg)	Format	Scale	General tol.	
						73.51	A3	1:5		
 www.heta.dk					Description					
					Left hinged, Right side window					
Project Prestige					Part no.					
					4530-0176					
<small>All information contained in this document is property of HETA. Without written permission, any copying, transmittal to other, and any use except that for which it is loaned is prohibited.</small>					Sheet					
					1 OF 2					
					Rev.					