
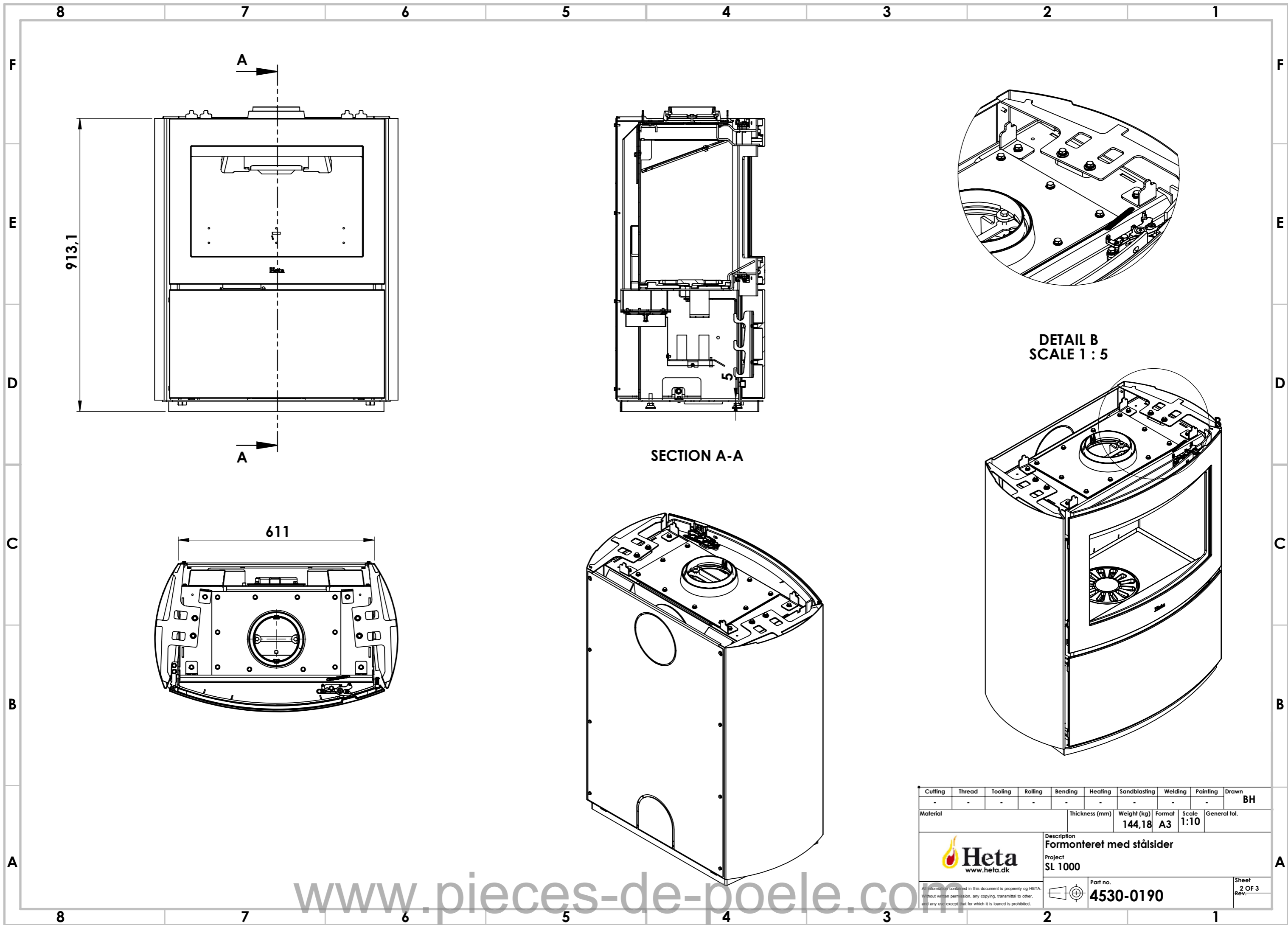



ITEM NO.	PART NUMBER	DESCRIPTION	Formontage SL 1000 med stål sider/QTY.
1	0008-0058	M6x8 Rundhoved skrue indiv 6kt	2
2	0008-0525	M6 skive $\varnothing 6,4 \times 18 \times 1,6$	8
3	0008-1113	Sekskantskrue m. fl. fzb M6x12	6
4	0008-1114	Sekskantskrue m. fl. fzb M6x20	6
5	0008-1702	Selvborende skr 4,8x13	8
6	1013-0923	Beslag hel bagpanel	2
7	1023-0338	Bagplade	1
8	1027-0533	Front holder for top	4
9	1027-0534	Afstandsplade for sideplade	2
10	1523-0099	Højre sidepanel samlet	1
11	1523-0100	Venstre Sidepanel Samlet	1
12	4530-0185	Formontage standard ovn	1

REVISIONS										
REV.	DESCRIPTION								DATE	APPROVED
-	Cutting	Thread	Tooling	Rolling	Bending	Heating	Sandblasting	Welding	Painting	Drawn
-	-	-	-	-	-	-	-	-	-	BH
Material						Thickness (mm)	Weight (kg)	Format	Scale	General tol.
							144,18	A3	1:10	
 www.heta.dk						Description Formonteret med stålsider Project SL 1000				
						Part no. 4530-0190				



SECTION A-A

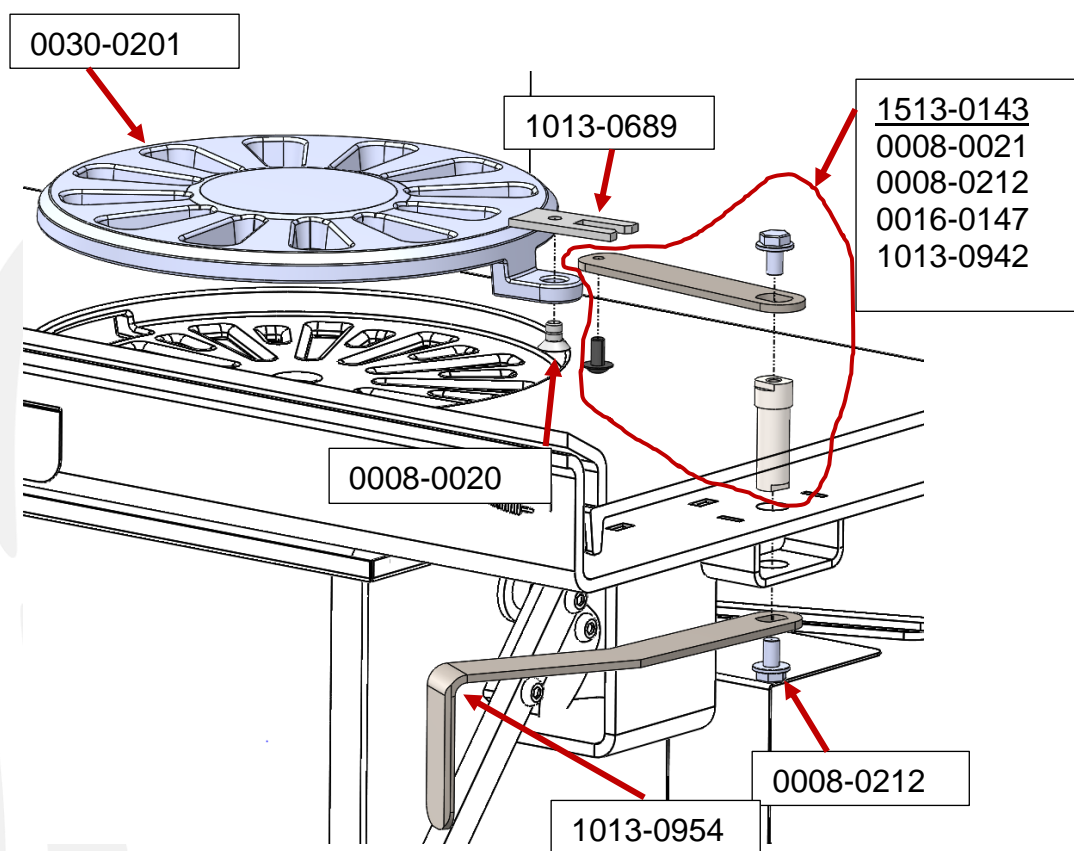
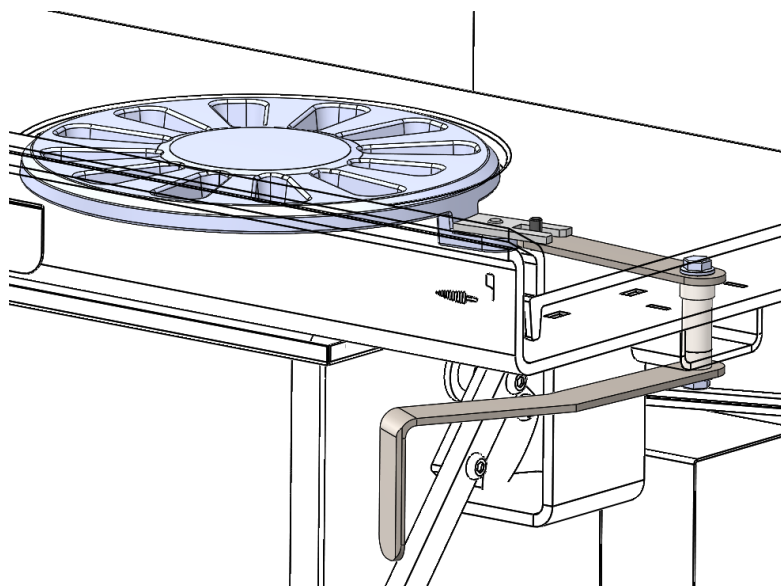
DETAIL B
SCALE 1 : 5

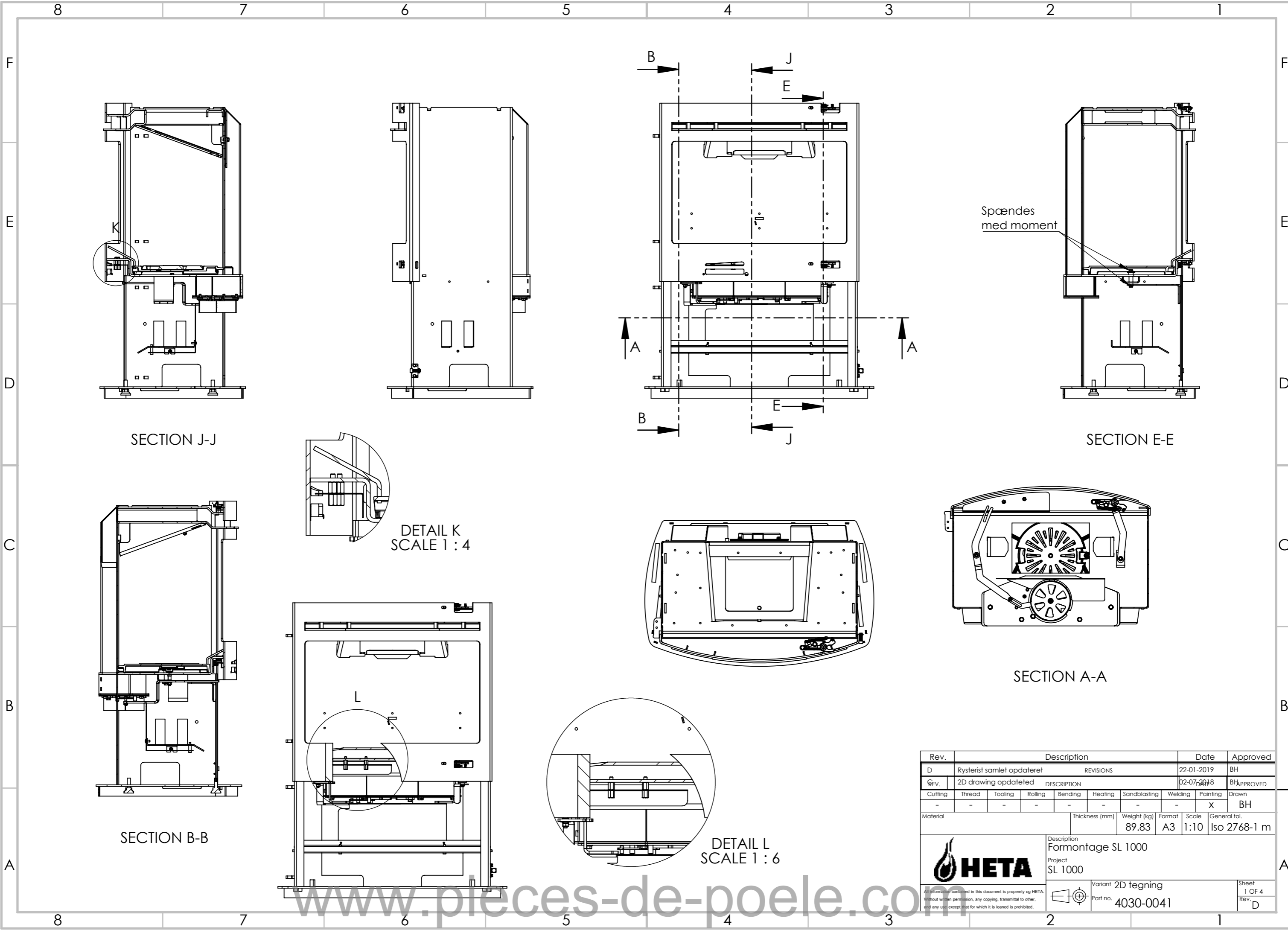
Cutting	Thread	Tooling	Rolling	Bending	Heating	Sandblasting	Welding	Painting	Drawn	
-	-	-	-	-	-	-	-	-	BH	
Material						Thickness (mm)	Weight (kg)	Format	Scale	General tol.
							144,18	A3	1:10	
 www.heta.dk						Description Formonteret med stålsider Project SL 1000				
						Part no. 4530-0190				
<small>All information contained in this document is property of HETA. Without written permission, any copying, transmittal to other, and any use except that for which it is loaned is prohibited.</small>										



HETA

SL 1000 Shaking grate assembled together





SECTION J-J


SECTION E-E

DETAIL K
SCALE 1 : 4

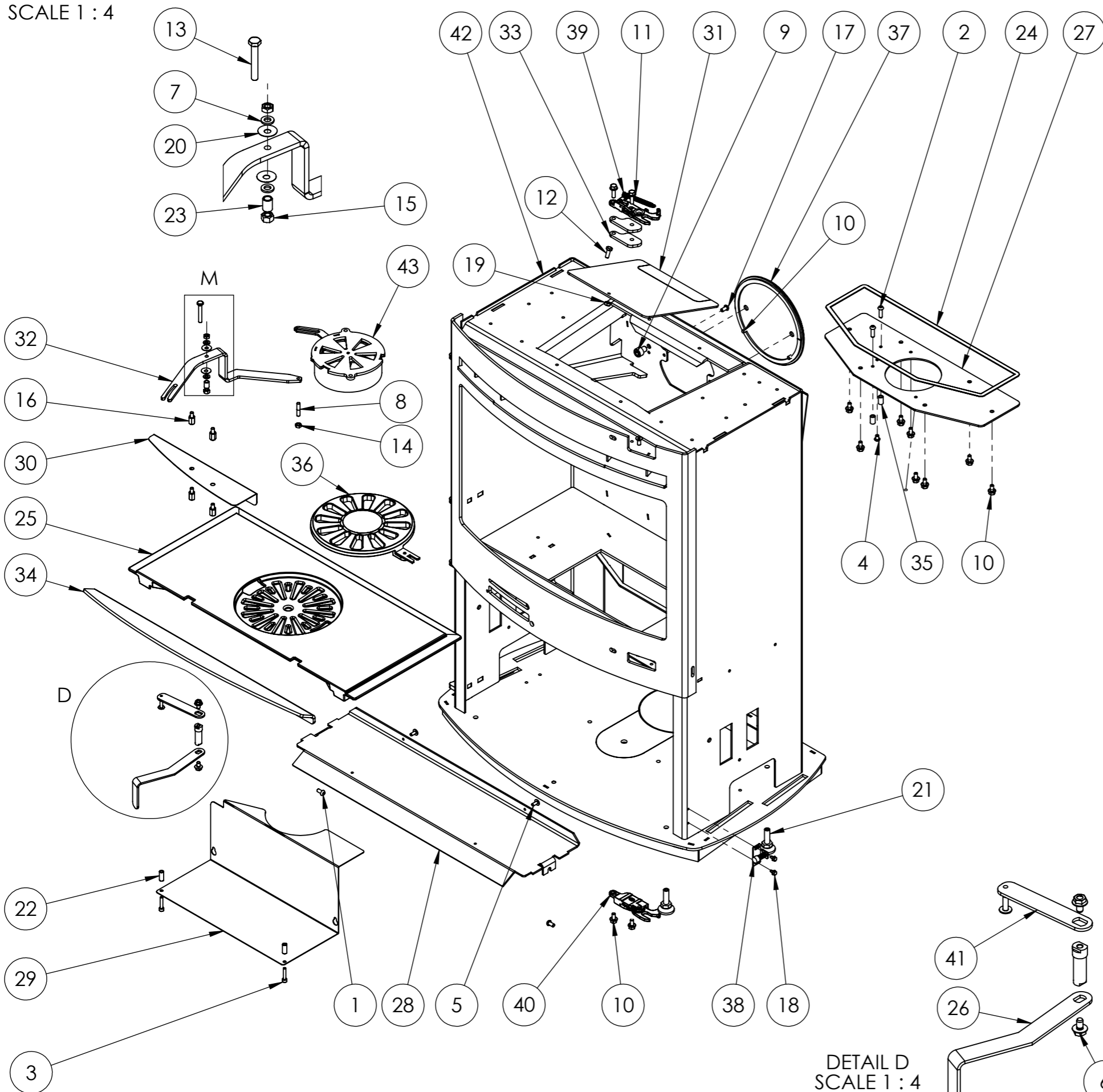
SECTION A-A

SECTION B-B

DETAIL L
SCALE 1 : 6

Rev.	Description	Date	Approved
D	Rysterist samlet opdateret REVISIONS	22-01-2019	BH
REV.	2D drawing opdateret DESCRIPTION	02-07-2018	BH APPROVED
Cutting	Thread	Tooling	Rolling
Bending	Heating	Sandblasting	Welding
Painting	Drawn		
-	-	-	X
Material		Thickness (mm)	Weight (kg)
		89.83	A3
		Scale	General tol.
		1:10	Iso 2768-1 m
		Description Formontage SL 1000 Project SL 1000	
All information contained in this document is property of HETA. Without written permission, any copying, transmittal to other, and any use except that for which it is loaned is prohibited.		Variant 2D tegning Part no. 4030-0041	Sheet 1 OF 4 Rev. D

DETAIL M
SCALE 1 : 4



DETAIL D
SCALE 1 : 4

NO.	PART NUMBER	DESCRIPTION	QTY.
1	0008-0002	M6x12 Hexagon socket button head screw BN 19, Black	2
2	0008-0003	M6x20 Hexagon socket button head screw BN 19, Black	2
3	0008-0047	M5x25 Hexagon socket head cap screw BN 272, Black	2
4	0008-0058	M6x8 Hexagon socket button head screw BN 19, Black	3
5	0008-0108	M5x12 Hexagon socket button head screw with flange BN 11252, Black	2
6	0008-0212	M6x10 Hexagon head locking screw BN 2797, Black	1
7	0008-0501	M6/12x1,6 Washer BN 715, FZB	2
8	0008-0903	Hængselstift M6x28	1
9	0008-1008	M10x12 Hexagon socket head cap screw BN 3, FZB	1
10	0008-1113	M6x12 Hexagon flange bolt BN 41200, FZB	12
11	0008-1114	M6x20 Hexagon flange bolt BN 41200, FZB	2
12	0008-1201	M6x16 Hexagon head screw BN 56, FZB	1
13	0008-1234	M6x40 Hexagon head screw BN 56, FZB	1
14	0008-1402	M6 Hexagon nut BN 117, FZB	2
15	0008-1416	M6 Prevailing torque type hexagon lock nut V BN 169, FZB	1
16	0008-1808	M6x14 Hexagon stand-off BN 3318, FZB	4
17	0008-2035	M6x12 Hexagon socket button head screw BN 1593, RF A2	1
18	0008-4202	M4x8 Hexagon head thread forming screw BN 3326, FZB	2
19	0008-4801	M6 Hexagon nut Polyamid BN 81, PA 6.6	1
20	0008-9042	M6/18x0,4 Disc spring BN 806	2
21	0015-3007	Stilleskrue drejebase M10x30f indiv 6kt	4
22	0016-0075	spacer	2
23	0016-0138	Bøsning 9x6,2x12,5	1
24	0023-3013 Luftkasse SL 1000	3 X 8 mm glassnor med klæb	1
25	0030-0024	Bottom grate	1
26	1013-0954	Forbindelstang rysterist	1
27	1015-0071	Flange for kasse ved luftspjæld	1
28	1018-0246	Hylde for askespand	1
29	1022-0086	Stråleplade under askespand	1
30	1022-0089	Stråleplade luftregulering	1
31	1024-0141	Røgchikane dækplade	1
32	1027-0517	Forbindelstang luftregulering	1
33	1027-0521	Afstands plade for lukketøj	2
34	1027-0526	Indløb	1
35	1031-0103	Silikonslange ø9/ø6 l=15mm afkortet	2
36	1500-009708	Rysterist samlet /svejst	1
37	1512-0014	Blinddæksel SL-100, 400, 500, 550, 600,	1
38	1513-0093	Fjedrende magnetbeslag	1
39	1513-0123	Dibt locking device	1
40	1513-0124	Dibt locking device mirror	1
41	1513-0143	Rysterist arm samlet	1
42	2130-0060	Brandkammer	1
43	4027-0047	Luftspjæld	1

Rev.	Description	Date	Approved
D	Rysterist samlet opdateret	22-01-2019	BH
C	2D drawing opdateret	02-07-2018	BH

Cutting	Thread	Tooling	Rolling	Bending	Heating	Sandblasting	Welding	Painting	Drawn
-	-	-	-	-	-	-	-	X	BH

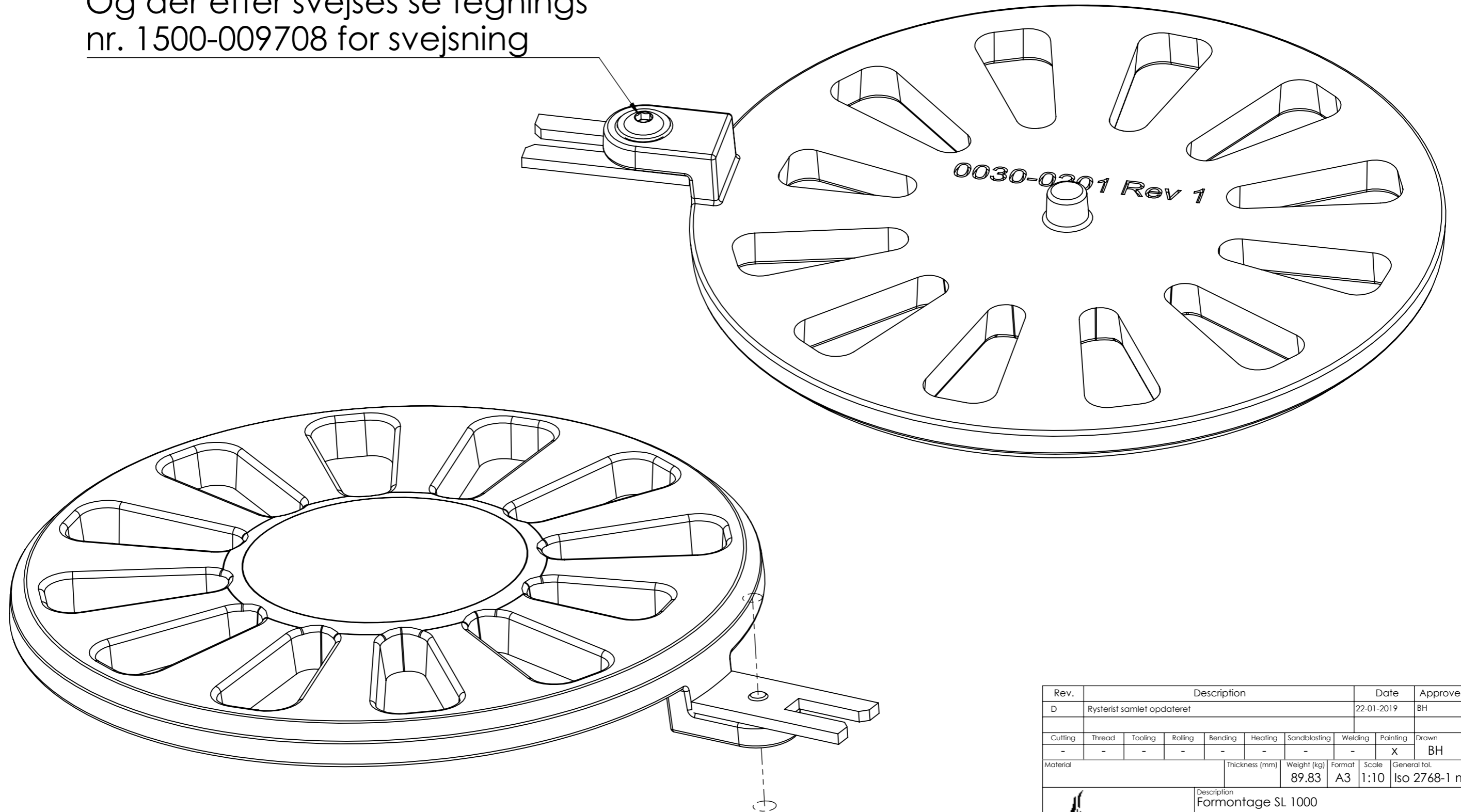
Material	Thickness (mm)	Weight (kg)	Format	Scale	General tol.
		89.83	A3	1:10	Iso 2768-1 m


Description	Project	Variant	Sheet
Formontage SL 1000	SL 1000	2D tegning	2 OF 4
Part no. 4030-0041		Rev. D	

!!Vigtig!!

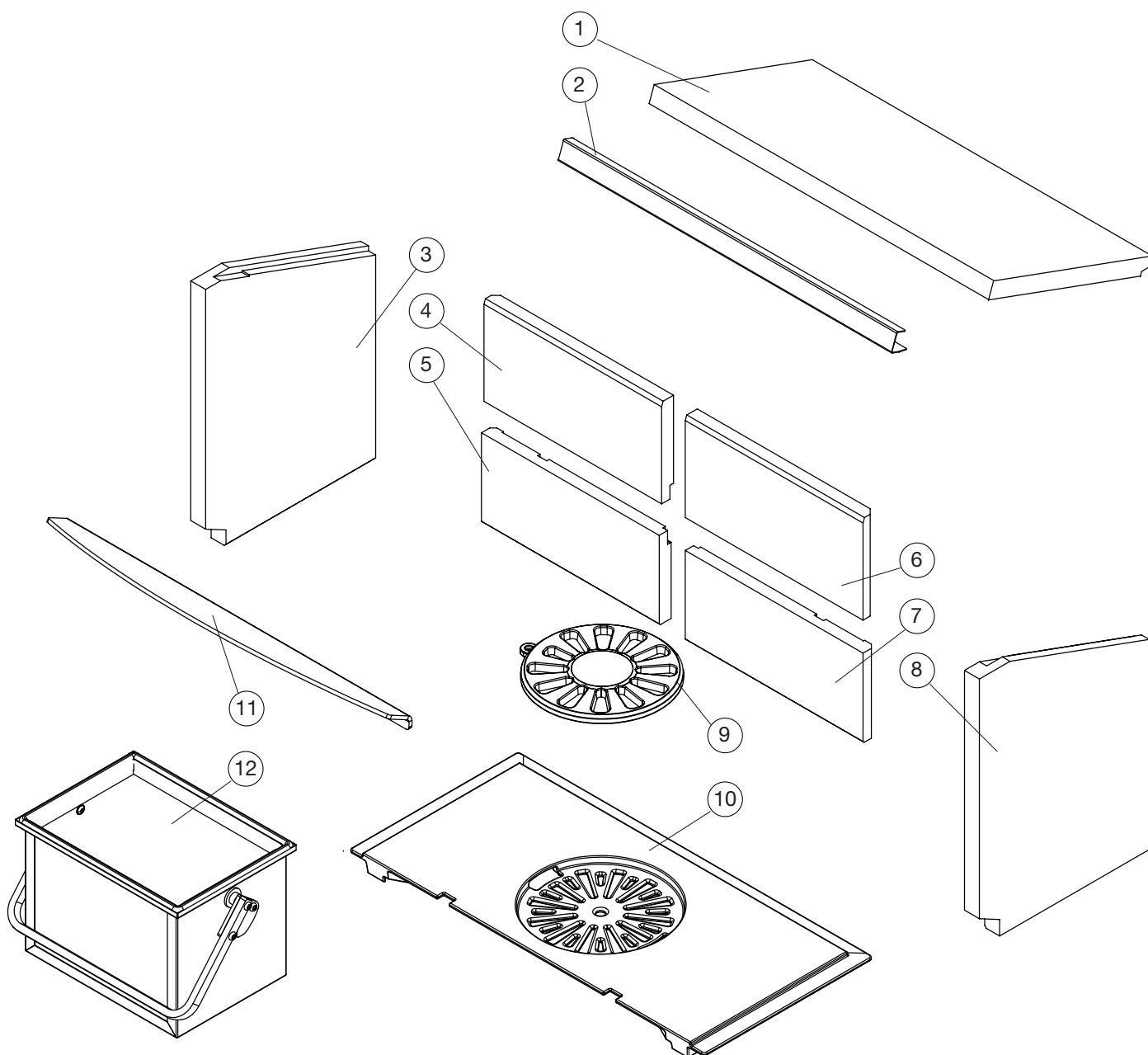
Skruen skal spændes hårdt
Spændes med 9 Nm i moment
Og der efter svejses se tegnings
nr. 1500-009708 for svejsning

Rysterist til SL 1000



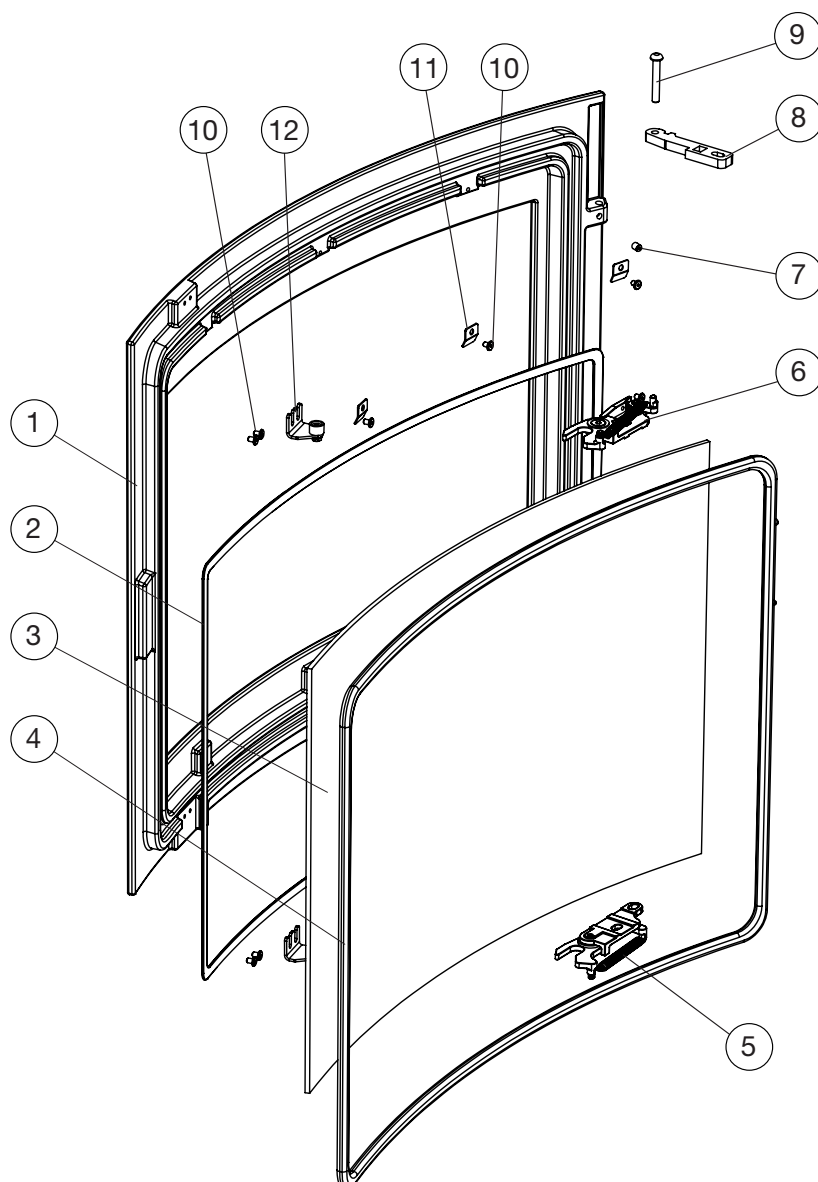
Rev.	Description	Date	Approved							
D	Rysterist samlet opdateret	22-01-2019	BH							
	Cutting	Thread	Tooling	Rolling	Bending	Heating	Sandblasting	Welding	Painting	Drawn
	-	-	-	-	-	-	-	-	X	BH
Material		Thickness (mm)	Weight (kg)	Format	Scale	General tol.				
			89.83	A3	1:10	Iso 2768-1 m				
		Description Formontage SL 1000 Project SL 1000								
All information contained in this document is property of HETA. Without written permission, any copying, transmittal to other, and any use except that for which it is loaned is prohibited.		Variant Rysterist samlet		Sheet 3 OF 4						
		Part no. 4030-0041		Rev. D						

1.21 Pièces détachées - Chambre de combustion interne



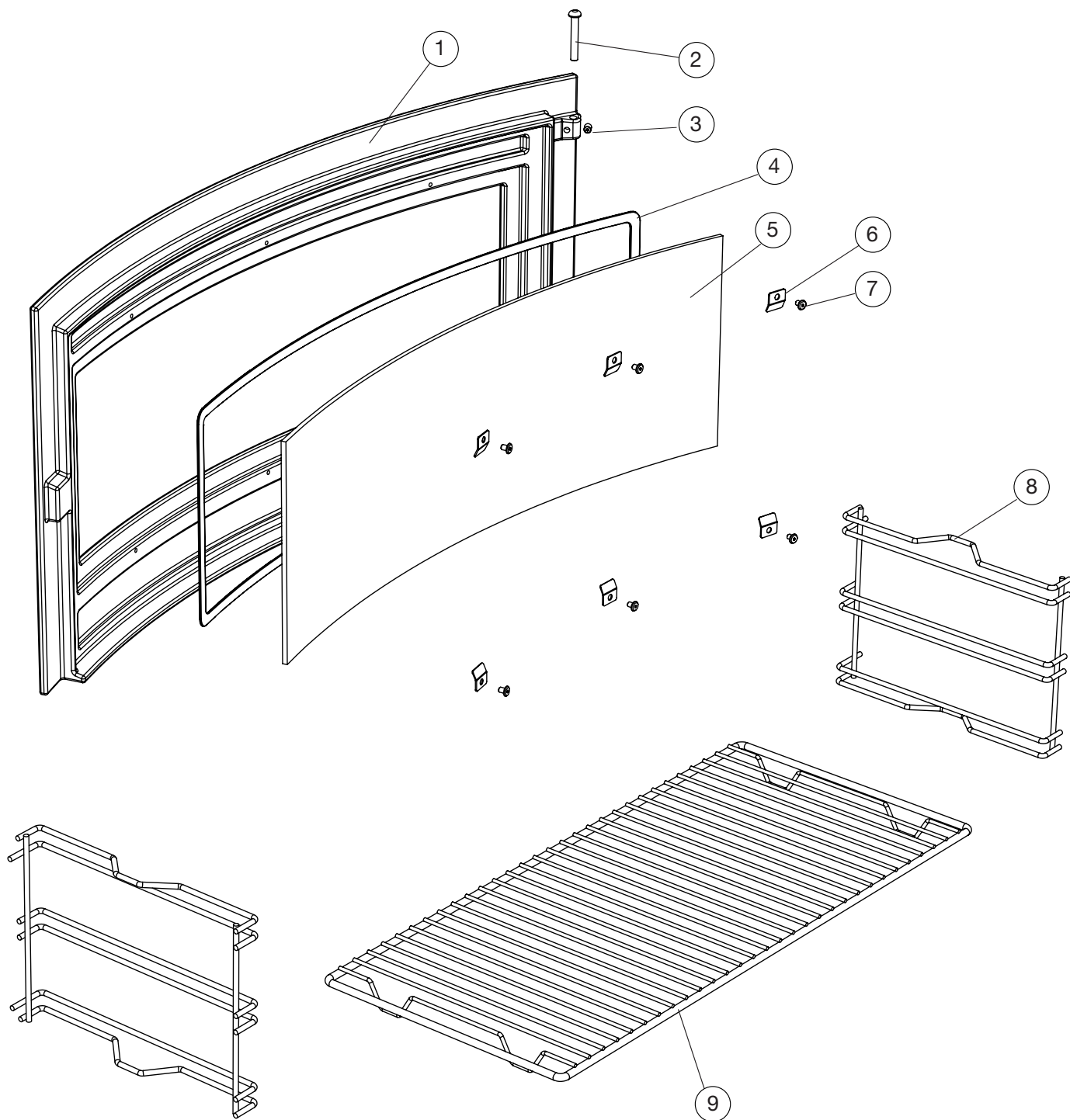
Pos. N°	Nom	Qté
1	0023-0230 Déфлектор	1
2	1027-0537 Support pour deflecteur	1
3	0023-0233 Vermiculite latérale, gauche	1
4	0023-0229 Vermiculite arrière, haut, gauche	1
5	0023-0228 Vermiculite arrière, bas, gauche	1
6	0023-0227 Vermiculite arrière, haut, droit	1
7	0023-0226 Vermiculite arrière, bas, droit	1
8	0023-0232 Vermiculite latérale, droit	1
9	0030-0201 Grille à secousses	1
10	0030-0024 Grille de fond	1
11	1027-0526 Pare-bûche	1
12	4018-0030 Seau à cendres	1

Pièces détachées - Porte



Pos. N°	Nom	Qté
1 1505-0089	Porte	1
2 0023-3013	Joint de vitre 3 x 8 mm autocollant. Longueur 1,84 m	1
3 0021-0068	Vitre	1
4 0023-3008	Joint de porte ø12 Longueur 2,1 m	1
5 1513-0124	Crochet automatique bas	1
6 1513-0123	Crochet automatique haut	1
7 0008-1002	Vis M6x6	2
8 1027-0528	Charnière	2
9 0008-9082	Gond 6x35	2
10 0008-0036	M4x6 vis à tête plat	6
11 1013-0432	Clips pour vitre	6
12 1513-0125	Rouleau de fermeture	2

Pièces détachées - Porte de four



Pos. N°	Nom	Qté
1 1505-0091	Porte de four	1
2 0008-9082	Gond	2
3 0008-1002	Vis de blocage M6x6	2
4 0023-3013	Joint de vitre 3 x 8 autocollant	1
5 0021-0067	Vitre de four	1
6 1013-0432	Clips pour vitre	6
7 0008-0036	Vis M4x6 tête plat	6
8 0050-0301	Guide pour grille	2
9 0050-0303	Grille	1