

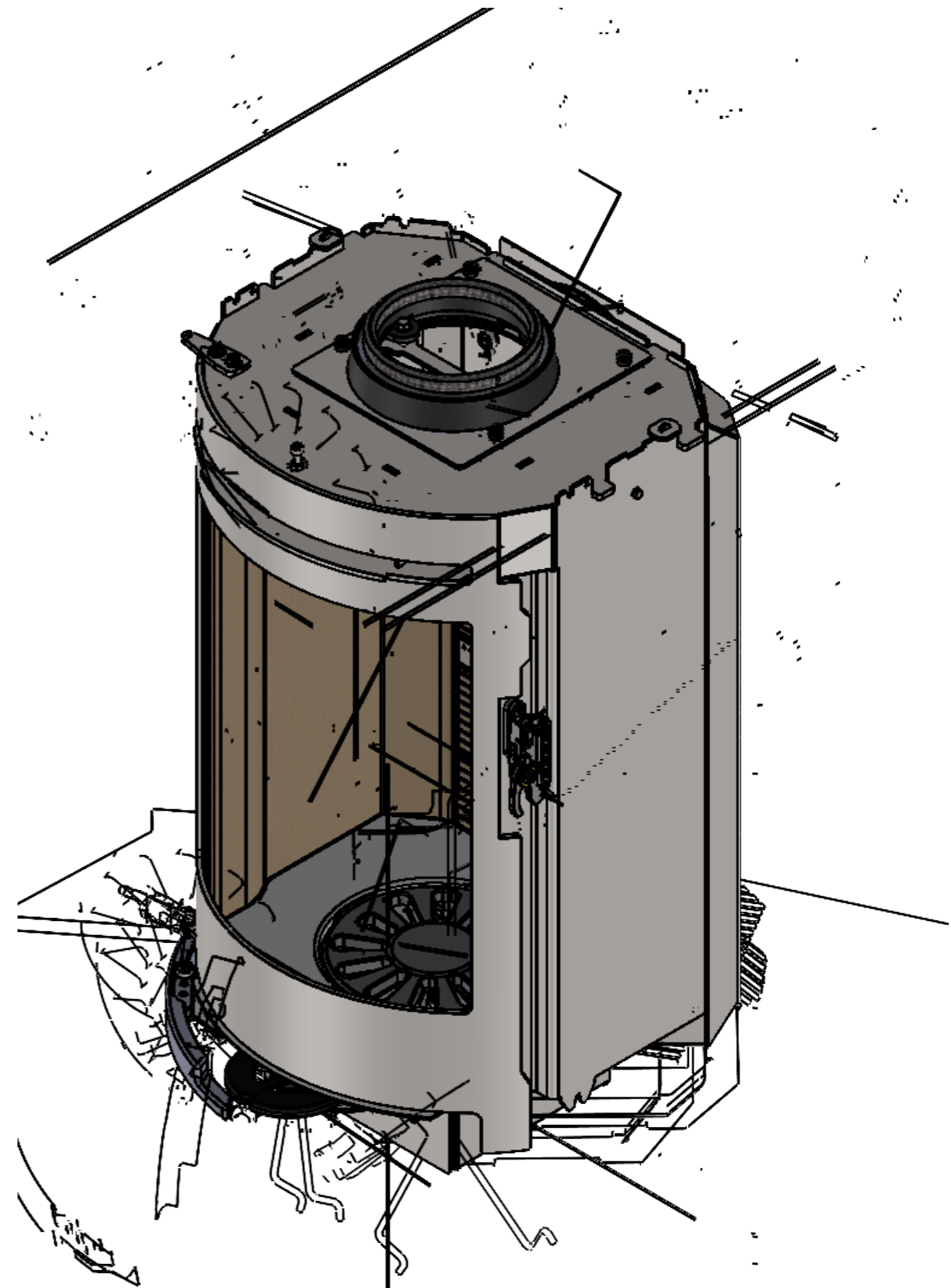
Vigtig!!!
 Ved glasfront:

- 0008-0205 (POS 11) udgår.
- I øverste gevind isættes 0008-0014 (POS 4)
- I Nederste gevind isættes 0008-0002

Ved DEFRA udgår POS. nr.4
 (0008-0014), og erstattes af
 1stk 0008-0518 og 0008-0041

Rev.	Description	Date	Approved
E	Tilføjet 1stk 0008-0014	07-07-2020	TT
D	Tilføjet 1013-022525 + div. bolte	06-05-2020	TT
Cutting	Thread	Tooling	Rolling
0	0	0	0
Bending	Heating	Sandblasting	Welding
0	0	0	0
Painting	Drawn		
0	TT		
Material	Thickness (mm)	Weight (kg)	Format
	N/A	61.505	A3
		Scale	General tol.
		1:10	Iso 2768-1 m
		Description Komplet brændkammer u. sideglas Project SL 900	
<small>All information contained in this document is property of HETA. Without written permission, any copying, transmittal to other, and any use except that for which it is loaned is prohibited.</small>		Variant Default Part no. 6000-010462	Sheet 1 OF 3 Rev. E

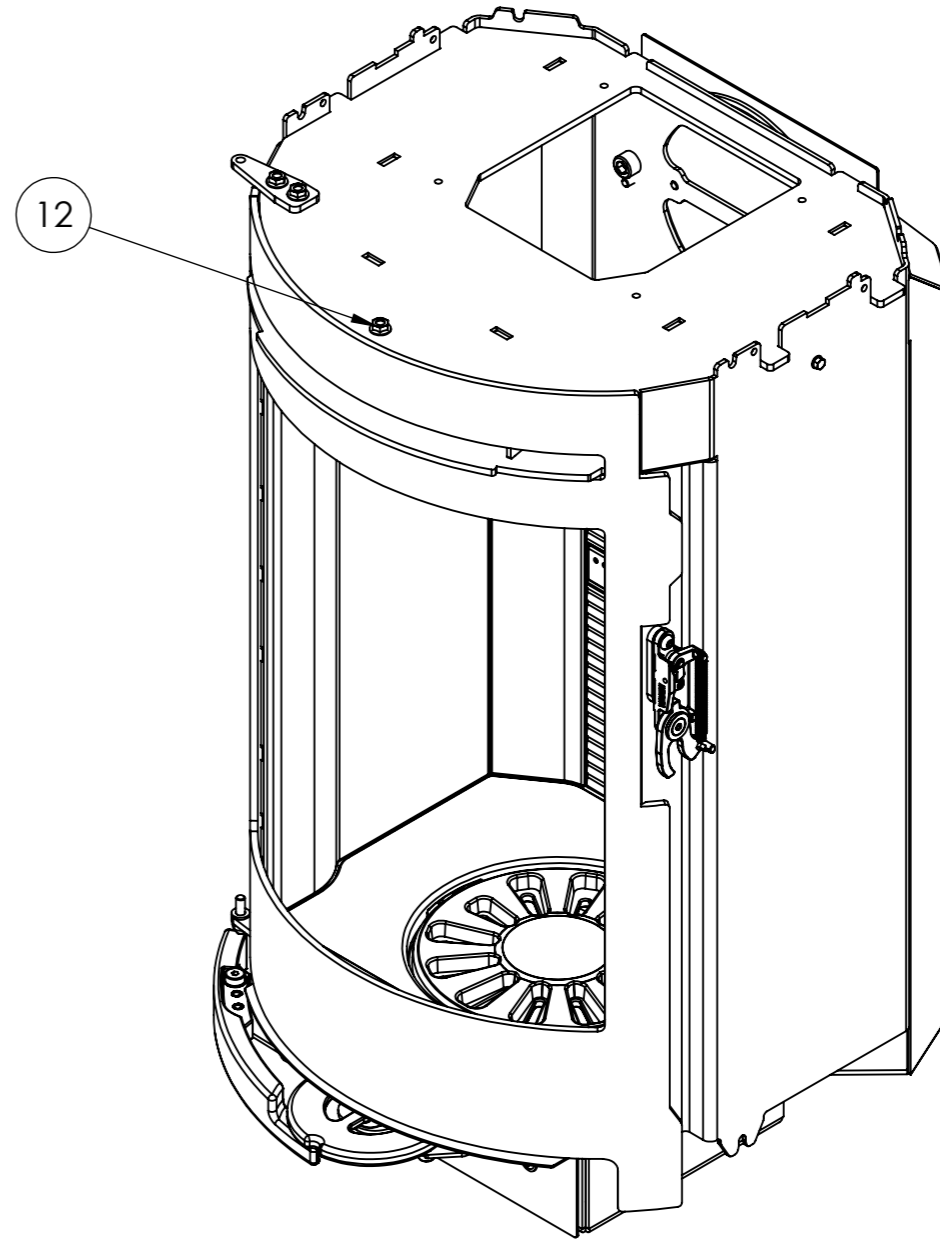
NO.	PART NUMBER	DESCRIPTION	Material	Thickness	QTY.
1	0008-0002	M6x12 Hexagon socket button head screw BN 19, Black			6
2	0008-0004	M6x25 Hexagon socket set screw BN 24, Black			1
3	0008-0006	M6x12 Hexagon socket button head screw with flange BN 11252, Black			4
4	0008-0014	M6x6 Hexagon socket head cap screw BN 1206, Black			2
5	0008-0034	M6x16 Hexagon socket button head screw BN 19, Black			2
6	0008-0051	M6x20 Hexagon socket head cap screw BN 1206, Black			2
7	0008-0058	M6x8 Hexagon socket button head screw BN 19, Black			4
8	0008-0087	M4x12 Hexagon socket flat countersunk head screw BN 20, Black			2
9	0008-0092	M6x30 Hexagon socket head cap screw BN 7, Black			1
10	0008-012079	M6x8 Hexagon socket head shoulder screw BN 1359 1985019 _Stahl 012_9 _ 12_9			1
11	0008-0205	M6x20 Hexagon head screw BN 54, Black			1
12	0008-0212	M6x10 Hexagon head locking screw BN 2797, Black			2
13	0008-022189	M6x6 hexagon socket button head screw BN 19			2
14	0008-022576	M6x10 Hexagon stand-off BN 3318, FZB			2
15	0008-0518	M6/12x1,6 Washer BN 713, Black			2
16	0008-0903	Hængselstift M6x28			1
17	0008-1008	M10x12 Hexagon socket head cap screw BN 3, FZB			1
18	0008-1113	M6x12 Hexagon flange bolt BN 41200, FZB			2
19	0008-1115	M6x25 Hexagon flange bolt BN 41200, FZB			2
20	0008-1219	M6x10 Hexagon head screw BN 56, FZB			1
21	0008-1402	M6 Hexagon nut BN 117, FZB			3
22	0008-1501	M6/17x3 Washer BN 733, FZB			4
23	0008-1807	M6x25 Hexagon stand-off BN 3318, FZB			2
24	0008-3503	M6/12x1,6 Washer BN 560, Brass	N/A		1
25	0008-4202	M4x8 Hexagon head thread forming screw BN 3326, FZB	N/A		2
26	0008-9019	Messing glider for skyder	N/A		2
27	0016-005944	Rystepind			1
28	0030-006009	Bundrist	N/A		1
29	0030-0201	Rysterist, Ø195 mm	N/A		1
30	1011-0137	Tertitær dyse	1		1
31	1013-005964	Brik til top	3		2
32	1013-007172	Stråleplade, front	1.5		1
33	1013-012065	Skydebeslag til rystepind	3		1
34	1013-017695	Afstands plade for lukketøj 1mm	1		1
35	1013-019085	Hængsel til låge, top	5		1
36	1013-022525	Varmeskjold bag	1.5		1
37	1027-0521	Afstands plade for lukketøj	5		1
38	1512-0014	Blinddæksel SL-100, 400, 500, 550, 600,			1
39	1525-0025	Røgtud standard DK/D limet			1
40	2130-010460	Brændkammer, svejst u. sideglas			1
41	6000-006006	Luftspjæld, samlet			1
42	6000-006470	Vermiculit komplet SL 900 serie			1
43	6000-015172	Luft reguleringshjul samlet	N/A		1
44	6000-015174	Rysterist håndtag samling	N/A		1
45	6000-020385	Røgtudplade med pakning	N/A		1
46	6000-024996	Dibt locking device - High initial force.			1



Ved DEFRA udgår POS. nr.4 (0008-0014), og erstattes af 1stk 0008-0518 og 0008-0041

Rev.	Description	Date	Approved
E	Tilføjet 1stk 0008-0014	07-07-2020	TT
D	Tilføjet 1013-022525 + div. bolte	06-05-2020	TT
Cutting	Thread	Tooling	Rolling
0	0	0	0
Bending	Heating	Sandblasting	Welding
0	0	0	0
Painting	Drawn		
0	TT		
Material	Thickness (mm)	Weight (kg)	Format
N/A		61.505	A3
Scale	General tol.		
1:5	Iso 2768-1 m		
		Description Komplet brændkammer u. sideglas Project SL 900	
Variant Default Part no. 6000-010462		Sheet 2 OF 3 Rev. E	

NO.	PART NUMBER	DESCRIPTION	Material thickness	Bageovn- akkumulering/bag eovn/QTY.
F	1	0008-0002	M6x12 Hexagon socket button head screw BN 19, Black	2
	2	0008-0004	M6x25 Hexagon socket set screw BN 24, Black	1
	3	0008-0006	M6x12 Hexagon socket button head screw with flange BN 11252, Black	4
	4	0008-0014	M6x6 Hexagon socket head cap screw BN 1206, Black	2
	5	0008-0034	M6x16 Hexagon socket button head screw BN 19, Black	2
	6	0008-0051	M6x20 Hexagon socket head cap screw BN 1206, Black	2
E	7	0008-0058	M6x8 Hexagon socket button head screw BN 19, Black	4
	8	0008-0087	M4x12 Hexagon socket flat countersunk head screw BN 20, Black	2
	9	0008-012079	M6x8 Hexagon socket head shoulder screw BN 1359 1985019 _Stahl 012_9_12_9	1
	10	0008-0205	M6x20 Hexagon head screw BN 54, Black	1
	11	0008-0212	M6x10 Hexagon head locking screw BN 2797, Black	3
	12	0008-022189	M6x6 hexagon socket button head screw BN 19	2
D	13	0008-022576	M6x10 Hexagon stand-off BN 3318, FZB	2
	14	0008-0518	M6/12x1,6 Washer BN 713, Black	2
	15	0008-0903	Hængselstift M6x28	1
	16	0008-1008	M10x12 Hexagon socket head cap screw BN 3, FZB	1
	17	0008-1113	M6x12 Hexagon flange bolt BN 41200, FZB	2
	18	0008-1402	M6 Hexagon nut BN 117, FZB	2
	19	0008-1501	M6/17x3 Washer BN 733, FZB	4
	20	0008-1807	M6x25 Hexagon stand-off BN 3318, FZB	2
C	21	0008-1219	M6x10 Hexagon head screw BN 56, FZB	1
	22	0008-3503	M6/12x1,6 Washer BN 560, Brass	N/A
	23	0008-4202	M4x8 Hexagon head thread forming screw BN 3326, FZB	N/A
	24	0008-9019	Messing glider for skyder	N/A
	25	0016-005944	Rystepind	1
	26	0030-006009	Bundrist	N/A
	27	0030-0201	Rysterist, Ø195 mm	N/A
	28	1011-0137	Tertitær dyse	1
	29	1013-007172	Stråleplade, front	1.5
B	30	1013-012065	Skydebeslag til rystepind	3
	31	1013-017695	Afstands plade for lukketøj 1mm	1
	32	1013-019085	Hængsel til låge, top	5
	33	1013-022525	Varmeskjold bag	1.5
	34	1027-0521	Afstands plade for lukketøj	5
	35	1512-0014	Blinddæksel SL-100, 400, 500, 550, 600,	1
	36	2130-010460	Brændkammer, svejst u. sideglas	1
	37	6000-006006	Luftspjæld, samlet	1
	38	6000-006470	Vermiculit komplet SL 900 serie	1
A	39	6000-015172	Luft reguleringshjul samlet	N/A
	40	6000-015174	Rysterist håndtag samling	N/A
	41	6000-024996	Dibt locking device - High initial force	1



Rev.	Description	Date	Approved
E	Tilføjet 1stk 0008-0014	07-07-2020	TT
D	Tilføjet 1013-022525 + div. bolte	06-05-2020	TT
Cutting	Thread	Tooling	Rolling
0	0	0	0
Bending	Heating	Sandblasting	Welding
0	0	0	0
Painting	Drawn		
0	TT		
Material	Thickness (mm)	Weight (kg)	Format
N/A	N/A	61.505	A3
	Scale	General tol.	
	1:5	Iso 2768-1 m	
		Description Komplet brændkammer u. sideglas Project SL 900	
<small>All information contained in this document is property of HETA. Without written permission, any copying, transmittal to other, and any use except that for which it is loaned is prohibited.</small>		Variant Default Part no. 6000-010462	Sheet 3 OF 3 Rev. E