

NO.	PART NUMBER	DESCRIPTION	QTY.
1	0008-0002	M6x12 Hexagon socket button head screw BN 19, Black	2
2	0008-0014	M6x6 Hexagon socket head cap screw BN 1206, Black	1
3	0008-0035	M6x8 Hexagon socket button head screw with flange BN 11252, Black	5
4	0008-0058	M6x8 Hexagon socket button head screw BN 19, Black	4
5	0008-0501	M6/16 x1 Washer BN 30709, FZB	6
6	0008-0919	M6x16 Hexagon stand-off BN 3318, FZB	4
7	0008-1110	M6x40 Hexagon head bolt BN 57, FZB	1
8	0008-1113	M6x12 Hexagon flange bolt BN 41200, FZB	2
9	0008-1114	M6x20 Hexagon flange bolt BN 41200, FZB	7
10	0008-1215	M6x30 Hexagon head screw BN 56, FZB	5
11	0008-1234	M6x40 Hexagon head screw BN 56, FZB	3
12	0008-1402	M6 Hexagon nut BN 117, FZB	11
13	0008-1416	M6 Prevailing torque type hexagon lock nut V BN 169, FZB	2
14	0008-1501	M6/17x3 Washer BN 733, FZB	1
15	0008-1809	M6x40 Hexagon stand-off BN 3318, FZB	5
16	0008-2004	M4x10 Hexagon socket flat countersunk head screw BN 616, RF A2	1
17	0008-2301	M4x8 Hexalobular socket pan head screw BN 5687, RF A2	2
18	0008-4801	M6 Hexagon nut Polyamid BN 81, PA 6.6	1
19	0008-9019	Messing glider for skyder	1
20	0008-9042	M6/18x0,4 Disc spring BN 806	6
21	0015-3007	Stilleskrue drejebase M10x30t indiv 6kt	4
22	0016-005767	Spacer tube 15 mm	4
23	0016-0060	Rørbøsning Ø10/7 x 20 mm.	2
24	0023-004883	Komplet sæt sten - Ambition 5	1
25	0030-000871	Bundplade - Ambition 5	1
26	0030-003173	Greb for luft	1
27	1013-000109	Stråleplade bagside Ambition	1
28	1013-000116	Indløb Ambition	1
29	1013-000175	Tertier dyse Ambition	1
30	1013-000192	Luftregulerings drejeled - Ambition	1
31	1013-002738	Reguleringsstang luft - Ambition 5	1
32	1013-004304	Bæreskinne røgvender Ambition	1
33	1013-004881	Løs røgchikane - Ambition 5	1
34	1013-005098	Stråleplade yderste - Ambition 5	1
35	1013-014137	Melleplade ved låsekasse	1
36	1500-001146	Svejst dækplade	1
37	1500-004896	Svejst luftspjæld Ambition 5	1
38	1513-0075	Svejst kasette for rulletap	1
39	2130-002592	Brændkammer Ambition 5	1
40	4025-0007	Røgstuds Inspire - Ambition 125 mm.	1
41	6000-004423	Låge Ambition komplet	1
42	6000-005086	Stråleplade Ambition 5 samling	1
43	6000-018013	Ambition 5 røgvender med snor	1

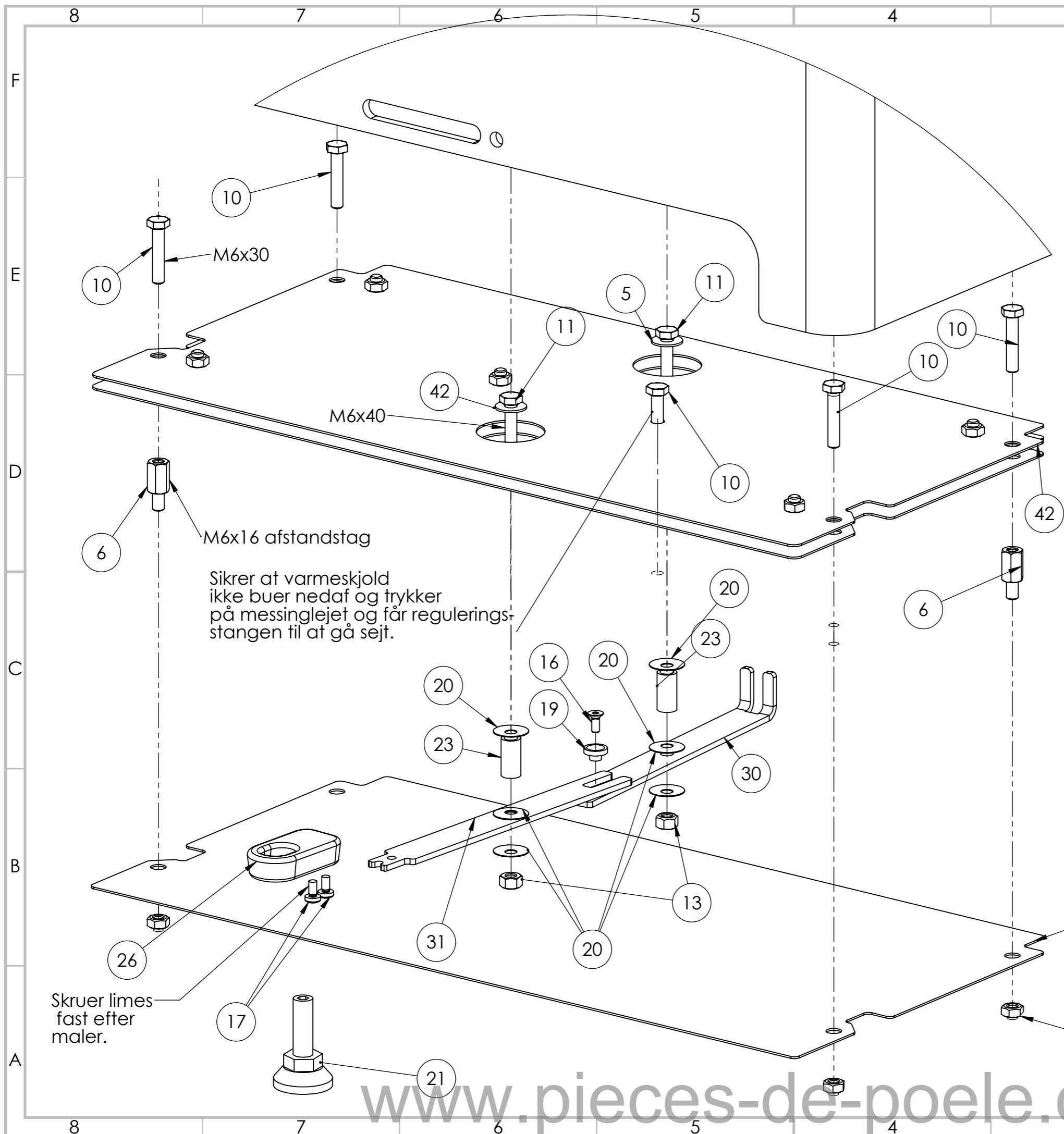
Rev.	Description	Date	Approved
B	Approved	22-05-2018	MLN
01	Approved	11-10-2017	Admin

Cutting	Thread	Tooling	Rolling	Bending	Heating	Sandblasting	Welding	Painting	Drawn
0	0	0	0	0	0	0	0	0	MN

Material	Thickness (mm)	Weight (kg)	Format	Scale	General tol.
Material <not specified>		98.96	A3	1:11	Iso 2768-1 m

**HETA**  
 Description: Ambition 5  
 Project: Ambition

Variant	Sheet
Default	5 OF 13
Part no. 8058-002597	Rev. B



NO.	PART NUMBER	DESCRIPTION	QTY.
1	0008-0002	M6x12 Hexagon socket button head screw BN 19, Black	2
2	0008-0014	M6x6 Hexagon socket head cap screw BN 1206, Black	1
3	0008-0035	M6x8 Hexagon socket button head screw with flange BN 11252, Black	5
4	0008-0058	M6x8 Hexagon socket button head screw BN 19, Black	4
5	0008-0501	M6/16 x1 Washer BN 30709, FZB	6
6	0008-0919	M6x16 Hexagon stand-off BN 3318, FZB	4
7	0008-1110	M6x40 Hexagon head bolt BN 57, FZB	1
8	0008-1113	M6x12 Hexagon flange bolt BN 41200, FZB	2
9	0008-1114	M6x20 Hexagon flange bolt BN 41200, FZB	7
10	0008-1215	M6x30 Hexagon head screw BN 56, FZB	5
11	0008-1234	M6x40 Hexagon head screw BN 56, FZB	3
12	0008-1402	M6 Hexagon nut BN 117, FZB	11
13	0008-1416	M6 Prevailing torque type hexagon lock nut V BN 169, FZB	2
14	0008-1501	M6/17x3 Washer BN 733, FZB	1
15	0008-1809	M6x40 Hexagon stand-off BN 3318, FZB	5
16	0008-2004	M4x10 Hexagon socket flat countersunk head screw BN 616, RF A2	1
17	0008-2301	M4x8 Hexalobular socket pan head screw BN 5687, RF A2	2
18	0008-4801	M6 Hexagon nut Polyamid BN 81, PA 6.6	1
19	0008-9019	Messing glider for skyder	1
20	0008-9042	M6/18x0,4 Disc spring BN 806	6
21	0015-3007	Stilleskrue drejebase M10x30f indv 6kt	4
22	0016-005767	Spacer tube 15 mm	4
23	0016-0060	Rørbøsning Ø10/7 x 20 mm.	2
24	0023-004883	Komplet sæt sten - Ambition 5	1
25	0030-000871	Bundplade - Ambition 5	1
26	0030-003173	Greb for luft	1
27	1013-000109	Stråleplade bagside Ambition	1
28	1013-000116	Indløb Ambition	1
29	1013-000175	Tertier dyse Ambition	1
30	1013-000192	Luftregulerings drejeled - Ambition	1
31	1013-002738	Reguleringsstang luft - Ambition 5	1
32	1013-004304	Bæreskinne røgvender Ambition	1
33	1013-004881	Løs røgchikane - Ambition 5	1
34	1013-005098	Stråleplade yderste - Ambition 5	1
35	1013-014137	Melleplade ved låsekasse	1
36	1500-001146	Svejst dækplade	1
37	1500-004896	Svejst luftspjæld Ambition 5	1
38	1513-0075	Svejst kasette for rulletap	1
39	2130-002592	Brændkammer Ambition 5	1
40	4025-0007	Røgstuds Inspire - Ambition 125 mm.	1
41	6000-004423	Låge Ambition komplet	1
42	6000-005086	Stråleplade Ambition 5 samling	1
43	6000-018013	Ambition 5 røgvender med snor	1

Rev.	Description	Date	Approved
B	Approved	22-05-2018	MLN
01	Approved	11-10-2017	Admin

Cutting	Thread	Tooling	Rolling	Bending	Heating	Sandblasting	Welding	Painting	Drawn
0	0	0	0	0	0	0	0	0	MN

Material	Thickness (mm)	Weight (kg)	Format	Scale	General tol.
Material <not specified>		98.96	A3	1:15	Iso 2768-1 m

	Description	Ambition 5	
	Project	Ambition	
Variant	Default	Sheet	6 OF 13
Part no.	8058-002597	Rev.	B



Serie	Ambition
Number	Default
Description	

