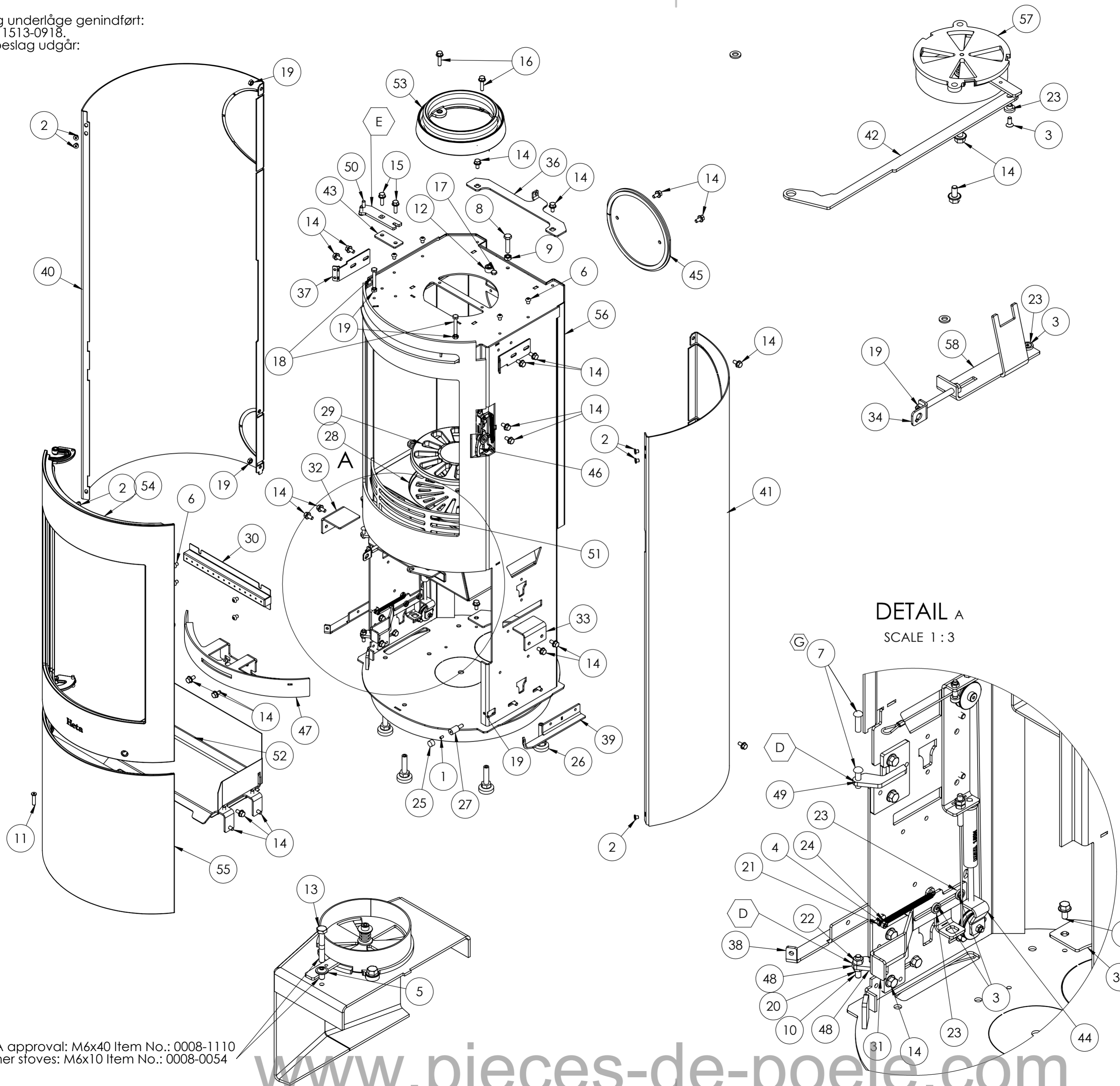


Rev D:  
 Svejste beslag underl ge genindf rt:  
 1513-0139 og 1513-0918.  
 Midlertidige beslag udg r:  
 1013-014207  
 1013-014097  
 1013-014102  
 1013-014096.



NO.	PART NUMBER	DESCRIPTION	Material thickness	QTY.
1	0008-0008	M4x8 Hexagon socket set screw BN 27, Black		1
2	0008-0014	M6x6 Hexagon socket head cap screw BN 1206, Black		6
3	0008-0017	M4x10 Hexagon socket flat countersunk head screw BN 20, Black		4
4	0008-0038	M4x10 Hexagon socket head cap screw BN 7, Black		1
5	0008-0054	M6x10 Hexagon socket button head screw with flange BN 11252, Black		1
6	0008-0058	M6x8 Hexagon socket button head screw BN 19, Black		8
7	0008-018935	6x22 Round head rivet BN 988	N/A	2
8	0008-0216	M8x35 Hexagon head screw BN 54, Black		1
9	0008-0409	M8 Hexagon nut BN 115, Black		1
10	0008-0903	H�ngselstift M6x28		1
11	0008-0914	M6x25 Hexagon socket head cap screw BN 1206, Black		1
12	0008-1008	M10x12 Hexagon socket head cap screw BN 3, FZB		1
13	0008-1110	M6x40 Hexagon head bolt BN 57, FZB		1
14	0008-1113	M6x12 Hexagon flange bolt BN 41200, FZB		35
15	0008-1114	M6x20 Hexagon flange bolt BN 41200, FZB		2
16	0008-1115	M6x25 Hexagon flange bolt BN 41200, FZB		2
17	0008-1219	M6x10 Hexagon head screw BN 56, FZB		1
18	0008-1234	M6x40 Hexagon head screw BN 56, FZB		2
19	0008-1402	M6 Hexagon nut BN 117, FZB		6
20	0008-1406	M6 Hexagon jam nut BN 124, FZB		1
21	0008-1411	M4 Hexagon nut BN 117, FZB		1
22	0008-1416	M6 Prevailing torque type hexagon lock nut V BN 169, FZB		1
23	0008-9019	Messing glider for skyder	N/A	4
24	0008-9115	Tr�ekfjeder til l�gehold SL 8		1
25	0015-2035	�12x8 magnet		1
26	0015-3003	Stilleskrue drejebase M10x40f indv 6kt		5
27	0016-0140	Afstandsstag magnet SL-8		1
28	0030-0023	Bundrist SL-8	N/A	1
29	0030-0201	Rysterist, �195 mm	N/A	1
30	1011-0274	Tertic�r luftdyse sl 8	1	1
31	1013-025309	L�gehold sl 8 ny model	3	1
32	1013-0895	Beslag askespand h�jre sl 8	3	1
33	1013-0896	Beslag askespand venstre sl 8	3	1
34	1013-0904	Beslag for rysterist sl 8	2	1
35	1013-0925	Beslag bund paneler sl 8	3	1
36	1013-0926	Hold sidepaneler bag sl 8	3	1
37	1013-0927	Beslag 1 2mm sv�b	2	2
38	1013-0928	Venstre beslag bund sidepanel sl 8	3	1
39	1013-0929	H�jre beslag bund sidepanel sl 8	3	1
40	1023-0336	Sidepanel 1, Venstre, SL 8 St�l	2	1
41	1023-0337	Sidepanel 2, h�jre SL-8 st�l	2	1
42	1027-0491	Forbind luftspj�ld	3	1
43	1027-0496	Afstandsstykke top SL 8	3	1
44	1500-007090	Gasd�mper - samlng		1
45	1512-0014	Blindd�ksel SL-100, 400, 500, 550, 600,		1
46	1513-0123	Dibt locking device		1
47	1513-0128	Svejs b�nd front SL 8		1
48	1513-0138	Svejst h�ngsel nedre l�ge bund		1
49	1513-0139	H�ngsel nedre l�ge top		1
50	1513-0141	H�ngsel top SL 8		1
51	1519-0018	Forrist Svejst SL 8		1
52	1522-0008	Askehylde/varmeskjold SL 8		1
53	1525-0025	R�gtud standard DK/D limet		1
54	2005-0009	L�ge Formonteret SL 8		1
55	2005-0010	Askel�ge formonteret SL-8		1
56	2130-0056	Brankammer		1
57	4027-0046	Spj�ld sl 8		1
58	6000-028209	Rystebeslag samlet		1

DETAIL A  
 SCALE 1 : 3

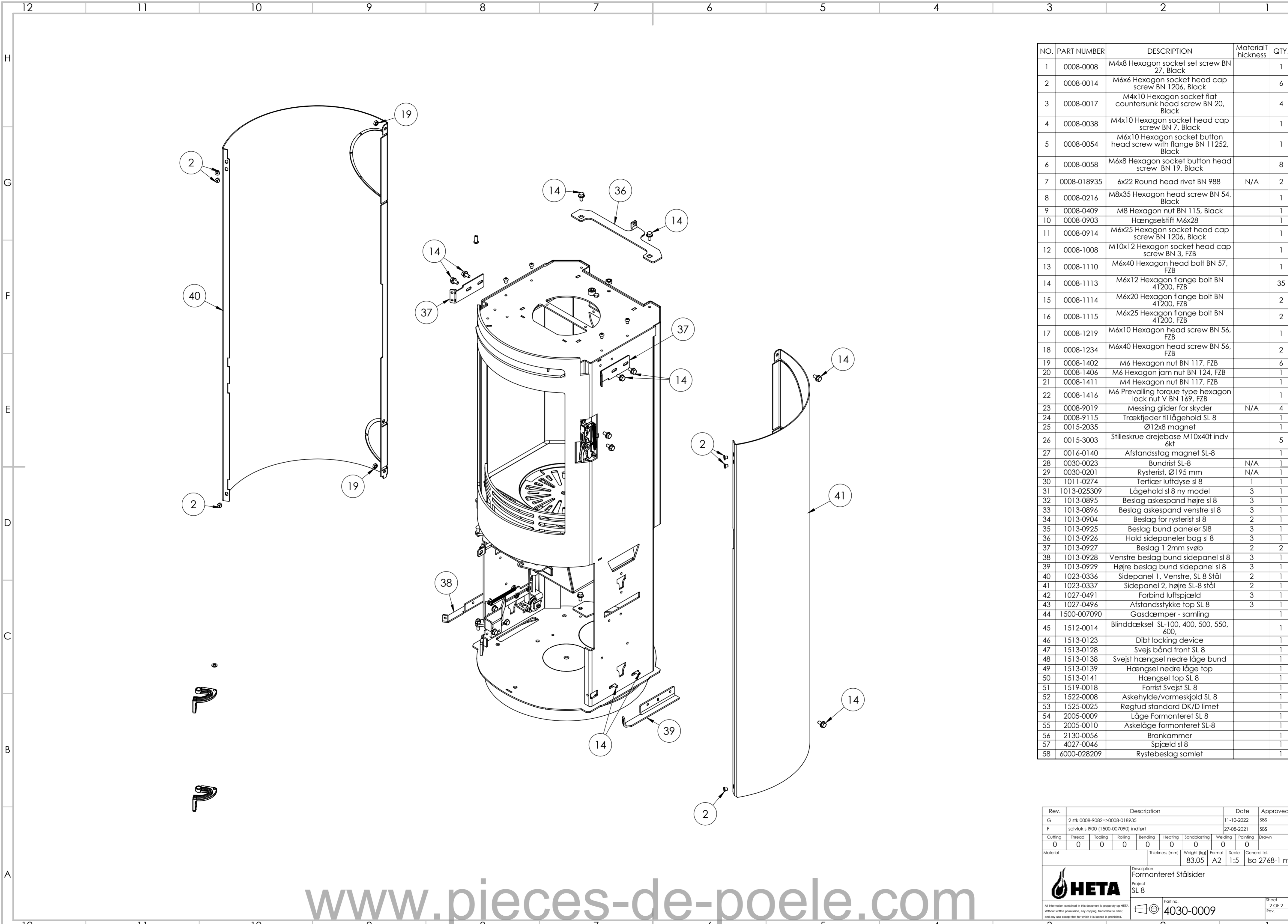
DEFRA approval: M6x40 Item No.: 0008-1110  
 All other stoves: M6x10 Item No.: 0008-0054

Rev.	Description	Date	Approved
G	2 stk 0008-9082 -> 0008-018935	11-10-2022	SBS
F	selvvik s 1900 (1500-007090) indf�rt	27-08-2021	SBS

Cutting	Thread	Tooling	Rolling	Bending	Heating	Sandblasting	Welding	Painting	Drawn
0	0	0	0	0	0	0	0	0	0

Material	Thickness (mm)	Weight (kg)	Format	Scale	General tol.
		83.05	A2	1:5.5	

**HETA**  
 Description: Formonteret St lsider  
 Project: SL 8  
 Part no.: 4030-0009  
 Sheet 1 OF 2  
 Rev G



NO.	PART NUMBER	DESCRIPTION	Material thickness	QTY.
1	0008-0008	M4x8 Hexagon socket set screw BN 27, Black		1
2	0008-0014	M6x6 Hexagon socket head cap screw BN 1206, Black		6
3	0008-0017	M4x10 Hexagon socket flat countersunk head screw BN 20, Black		4
4	0008-0038	M4x10 Hexagon socket head cap screw BN 7, Black		1
5	0008-0054	M6x10 Hexagon socket button head screw with flange BN 11252, Black		1
6	0008-0058	M6x8 Hexagon socket button head screw BN 19, Black		8
7	0008-018935	6x22 Round head rivet BN 988	N/A	2
8	0008-0216	M8x35 Hexagon head screw BN 54, Black		1
9	0008-0409	M8 Hexagon nut BN 115, Black		1
10	0008-0903	Hængselstift M6x28		1
11	0008-0914	M6x25 Hexagon socket head cap screw BN 1206, Black		1
12	0008-1008	M10x12 Hexagon socket head cap screw BN 3, FZB		1
13	0008-1110	M6x40 Hexagon head bolt BN 57, FZB		1
14	0008-1113	M6x12 Hexagon flange bolt BN 41200, FZB		35
15	0008-1114	M6x20 Hexagon flange bolt BN 41200, FZB		2
16	0008-1115	M6x25 Hexagon flange bolt BN 41200, FZB		2
17	0008-1219	M6x10 Hexagon head screw BN 56, FZB		1
18	0008-1234	M6x40 Hexagon head screw BN 56, FZB		2
19	0008-1402	M6 Hexagon nut BN 117, FZB		6
20	0008-1406	M6 Hexagon jam nut BN 124, FZB		1
21	0008-1411	M4 Hexagon nut BN 117, FZB		1
22	0008-1416	M6 Prevailing torque type hexagon lock nut V BN 169, FZB		1
23	0008-9019	Messing glider for skyder	N/A	4
24	0008-9115	Trækfjeder til lågehold SL 8		1
25	0015-2035	Ø12x8 magnet		1
26	0015-3003	Stilleskrue drejebase M10x40t indv 6kt		5
27	0016-0140	Afstandsstag magnet SL-8		1
28	0030-0023	Bundrist SL-8	N/A	1
29	0030-0201	Rysterist, Ø195 mm	N/A	1
30	1011-0274	Tertiær luftdyse sl 8		1
31	1013-025309	Lågehold sl 8 ny model		3
32	1013-0895	Beslag askespand højre sl 8		3
33	1013-0896	Beslag askespand venstre sl 8		3
34	1013-0904	Beslag for rysterist sl 8		2
35	1013-0925	Beslag bund paneler sl 8		3
36	1013-0926	Hold sidepaneler bag sl 8		3
37	1013-0927	Beslag 1 2mm svøb		2
38	1013-0928	Venstre beslag bund sidepanel sl 8		3
39	1013-0929	Højre beslag bund sidepanel sl 8		3
40	1023-0336	Sidepanel 1, Venstre, SL 8 Stål		2
41	1023-0337	Sidepanel 2, højre SL-8 stål		2
42	1027-0491	Forbind luftspjæld		3
43	1027-0496	Afstandsstykke top SL 8		3
44	1500-007090	Gasdæmper - samling		1
45	1512-0014	Blinddæksel SL-100, 400, 500, 550, 600,		1
46	1513-0123	Dibt locking device		1
47	1513-0128	Svejs bånd front SL 8		1
48	1513-0138	Svejst hængsel nedre låge bund		1
49	1513-0139	Hængsel nedre låge top		1
50	1513-0141	Hængsel top SL 8		1
51	1519-0018	Forrist Svejst SL 8		1
52	1522-0008	Askehylde/varmeskjold SL 8		1
53	1525-0025	Røgtud standard DK/D limet		1
54	2005-0009	Låge Formonteret SL 8		1
55	2005-0010	Askelåge formonteret SL-8		1
56	2130-0056	Brankammer		1
57	4027-0046	Spjæld sl 8		1
58	6000-028209	Rystebeslag samlet		1

Rev.	Description	Date	Approved
G	2 stk 0008-9082=>0008-018935	11-10-2022	SBS
F	selvvik s 1900 (1500-007090) indført	27-08-2021	SBS

Cutting	Thread	Tooling	Rolling	Bending	Heating	Sandblasting	Welding	Painting	Drawn
0	0	0	0	0	0	0	0	0	0

Material	Thickness (mm)	Weight (kg)	Format	Scale	General tol.
		83.05	A2	1:5	Iso 2768-1 m

Description  
Formonteret Stålsider

Project  
SL 8

All information contained in this document is property of HETA. Without written permission, any copying, transmission to other, and any use except that for which it is issued is prohibited.

Part no.  
4030-0009

Sheet  
2 OF 2  
Rev.